



Displacer Type Liquid Level Switches

DESCRIPTION

Magnetrol® displacement type level switches offer the industrial user a wide choice of alarm and control configurations. Every unit utilizes a simple buoyancy principle and is well suited for simple or complex applications, such as foaming or surging liquids or agitated fluids, and usually costs less than other types of level switches.

FEATURES

- Narrow or wide level ranges achieved through multiple switch mechanism capability.
- Up to 4 set points and 3 switches.
- Displacers adjustable at any point along the suspension cable.
- 10 feet (3 meters) suspension cable standard.
- Anti-surge design eliminates the possibility of switch shortcycling.
- Flanged or threaded mounting available.
- Easy installation.
- Field adjustable set point and switch differential.
- NACE models.
- Floating rooftop models.
- Proof-er® ground check.
- Choice of displacers: Porcelain, 316 Stainless steel, Karbate, Brass.
- Choice of switch mechanisms: Dry contact, Pneumatic, Hermetically sealed.
- Available housings: NEMA 1, carbon steel for pneumatics; TYPE 4X/7/9, Class I, Div. 1, Groups C & D, polymer coated aluminum; TYPE 4X/7/9, Class I, Div. 1, Group B, polymer coated aluminum.



Displacer
Level Switch

Displacer
Level Switch
with PROOF-ER

APPLICATIONS

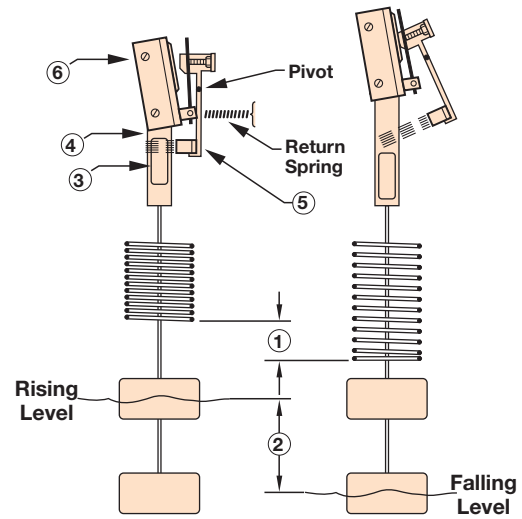
- Foaming or surging liquids
- Agitated fluids
- Sewage handling
- Dirty liquids
- Paints
- Varnishes
- Heavy oils
- Liquids with solids

TECHNOLOGY

Operation is based upon simple buoyancy, whereby a spring is loaded with weighted displacers which are heavier than the liquid. Immersion of the displacers in the liquid results in buoyancy force change, which moves the spring upward.

Since the spring moves only when the level moves on a displacer, spring movement ① is always a small fraction of the level travel between displacers ②.

A magnetic sleeve ③ is connected to the spring and operates within a non-magnetic barrier tube ④. Spring movement causes the magnetic sleeve to attract a pivoted magnet ⑤, actuating a switch mechanism ⑥ located outside the barrier tube. Built-in limit stops prevent over stroking of the spring, under level surge conditions.



PROOF-ER CONTROLS

The purpose of the PROOF-ER is to check the operation of a displacer control without having to raise the level in the tank. This is accomplished by pulling downward on the PROOF-ER chain. A spring-loaded lever arm then lifts

the switch actuator simulating a high or high-high level condition. When the chain is released, the PROOF-ER returns the actuator to its previous position to resume normal operation.

FLOATING ROOFTOP CONTROLS

The floating rooftop control is designed for installation on “barrier” (floating roof) tanks. The control will be furnished with a brass weight displacer to prevent sparking.

A hollow brass displacer is required if the control is to actuate in liquid as well as by the barrier. Consult factory for other options.

DISPLACERS

Stainless steel displacers are rated 720 psig @ +100° F (50 bar @ +38° C).

Karbate displacers are limited to a minimum temperature of +32° F (0° C) and a maximum temperature of +300° F (+149° C).

Do not use porcelain displacers on non-vented boiler water condensate systems over +200° F (+93° C). Stainless steel or Karbate is recommended.

DISPLACERS SUSPENSION CABLE

Displacers are field-adjustable at any point along the suspension cable (10 feet (3 meters) 316 stainless steel is

standard). Monel® and Hastelloy® materials are available. Consult the factory for longer lengths.

SINGLE SWITCH MODELS

SERIES A10 AND SERIES A15

SERIES A10 PUMP OR VALVE CONTROL WIDE DIFFERENTIAL TYPE

These wide differential units are factory calibrated to actuate as a liquid level reaches a given displacer and to deactuate when the level reaches a second displacer.

The minimum differential band is approximately 6 in. (152 mm) in water and varies somewhat with liquid specific gravity. The maximum differential is determined by the length of the displacer suspension cable.

SERIES A15 LEVEL ALARM APPLICATIONS NARROW DIFFERENTIAL TYPE

These instruments are factory calibrated to operate over a narrow level differential band and are ideally suited for liquid level alarm applications on either high or low level.

The operating level is fully adjustable simply by repositioning the displacer along its suspension cable. The differential band varies slightly with liquid specific gravity.

DUAL SWITCH MODELS

SERIES B10 AND SERIES B15

SERIES B10 WIDE DIFFERENTIAL TYPE

These wide differential tandem units are factory calibrated with a choice of several operating sequences designed to meet virtually any application.

OPERATING SEQUENCES

Model B10 units are available with a choice of switch operating sequence. Five of the most popular sequences are described on page 8. When ordering, specify operating sequence number and specific gravity of the liquid.

SERIES B15 NARROW DIFFERENTIAL TYPE

These instruments utilize two switches — each actuated at a different level and each calibrated with a narrow differential band.

TRI-SWITCH MODELS

SERIES C10 AND SERIES C15

SERIES C10 WIDE DIFFERENTIAL TYPE





These wide differential type switches are designed to provide three electrically separate control signals in a selected sequence as liquid level varies.

These units come factory-calibrated with a choice of several operating sequences combining wide and narrow level differential.

SERIES C15 NARROW DIFFERENTIAL TYPE

These instruments are factory-calibrated to operate over a narrow level band while providing three electrically separate control signals as liquid level varies.

AGENCY APPROVALS

AGENCY	APPROVED MODEL	AREA CLASSIFICATION
FM  APPROVED	All with an electric switch mechanism and a housing listed as Type 4X/7/9 ①	Class I, Div 1, Groups C & D Class II, Div 1, Groups E, F & G
	All with an electric switch mechanism and a housing listed as Type 4X/7/9 Class I, Div 1, Group B	Class I, Div 1, Groups B, C & D Class II, Div 1, Groups E, F & G
CSA 	All with a Series HS or F electric switch mechanism and a housing listed as CSA Type 4X	Class I, Div 2, Groups B, C & D
	All with an electric switch mechanism and a housing listed as Type 4X/7/9 ①	Class I, Div 1, Groups C & D Class II, Div 1, Groups E, F & G
	All with an electric switch mechanism and a housing listed as Type 4X/7/9 Class I, Div 1, Group B	Class I, Div 1, Groups B, C & D Class II, Div 1, Groups E, F & G
ATEX / IEC Ex ② 	All with an electric switch mechanism and an ATEX housing ①	ATEX II 2 G EEx d IIC T6 94/9/EC IEC Ex Ex d IIC T6 IP66
CE 	All models	Installation Category II Pollution Degree 2 Low Voltage Directives 2006/95/EC per Harmonized Standard EN 61010-1/1993 & Amendment No. 1

① Controls with two or more HS or H1 switches are not ATEX approved.

② IEC Installation Instructions:

The cable entry and closing devices shall be Ex d certified suitable for the conditions of use and correctly installed.

For ambient temperatures above +55° C or for process temperatures above +150° C, suitable heat resistant cables shall be used.

Heat extensions (between process connection and housing) shall never be insulated.

Special conditions for safe use:

When the equipment is installed in process temperatures higher than +85° C the temperature classification must be reduced according to the following table as per IEC60079-0.

Maximum Process Temperature	Temperature Classification
< 85° C	T6
< 100° C	T5
< 135° C	T4
< 200° C	T3
< 300° C	T2
< 450° C	T1

These units are in conformity with IECEx KEM 05.0020X
Classification Ex d IIC T6
T_{ambient} -40° C to +70° C

PRESSURE / TEMPERATURE RATINGS

Threaded Models ③	800 psig @ +100° F (55 bar @ +38° C) 250 psig @ +400° F (17 bar @ +204° C)
Flanged Models	Limited to the pressure rating of the selected flange or displacer. Cast iron flanges are flat face type conforming to ANSI dimensional specifications.
Low Pressure PROOF-ER Models	25 psig @ +200° F (1.7 bar @ +93° C)
Medium Pressure PROOF-ER Models	125 psig @ +300° F (8.6 bar @ +149° C)

③ Models with stainless steel displacers are rated 720 psig @ +100° F (50 bar @ 38° C).

SPECIFICATIONS

SWITCH MECHANISMS AND ENCLOSURES



SERIES B, C, D, O & Q DRY CONTACT SWITCHES

- Series “B”, “C”, “O” and “Q” switches are general purpose units with a selection of maximum liquid temperature ratings
- Series “D” switch is designed for high DC current applications



SERIES J & K PNEUMATIC SWITCHES

- Suited for process industry applications in hazardous locations or where electrical power is not available
- Series “J” bleed type switch is intended for general purpose applications
- Series “K” switch is specially designed to provide non-bleed operation with a high degree of vibration resistance



SWITCH ENCLOSURES

- TYPE 4X/7/9 aluminum enclosures
- Designed and approved for Class I, Div. 1, Groups C & D and Class I, Div. 1 Group B
- Optional housing heaters and drains available for some enclosures
- Pneumatic switch mechanisms available with a NEMA 1 enclosure



SERIES HS, F & 8 HERMETICALLY SEALED SWITCHES

- Entire mechanism and contacts are contained within a positively pressurized capsule with series ‘HS’
- Ideal for use in salt and other corrosive atmospheres
- Available in two models, one with easy access terminals, another with 12" (305 mm) long exposed wiring leads which may be field connected away from the switch enclosure

BASIC ELECTRICAL RATINGS

Voltage	Switch Series and Non-Inductive Ampere Rating							
	B	C	D	F	HS	O	Q	8
120 VAC	15.00	15.00	10.00	2.50	5.00	15.00	15.00	1.00
240 VAC	15.00	15.00	—	—	5.00	15.00	15.00	—
24 VDC	6.00	10.00	10.00	4.00	5.00	—	6.00	3.00
120 VDC	0.50	1.00	10.00	0.30	0.50	1.00	0.50	—
240 VDC	0.25	0.50	3.00	—	0.25	0.50	0.25	—

SPECIFICATIONS

MODEL A10 DIMENSIONAL DATA AND ACTUATION LEVELS

INCHES (MM)

Outline Dimensions				
Displacer Type	Threaded Mounting		Flanged Mounting	
	A	B	A	B
Porcelain	5.00 (127)	122.00 (3098)	7.00 (177)	124.00 (3149)
Stainless Steel or Karbate	4.75 (120)	122.00 (3098)	6.75 (171)	124.00 (3149)

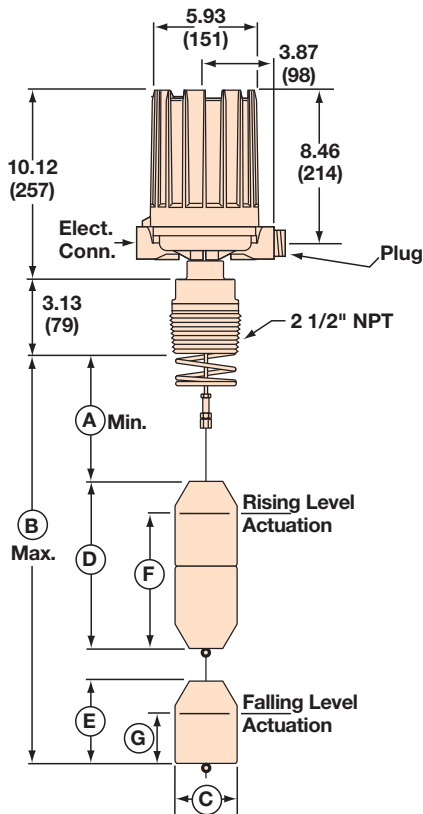
Displacer Type	C	D	E
Porcelain	2.56 (65)	7.25 (184)	3.62 (91)
Stainless Steel or Karbate	2.50 (63)	9.00 (228)	4.50 (114)

Electrical Connections
TYPE 4X/7/9, Group B: 1" NPT NEMA 1 Pneumatic: 1/4" NPT

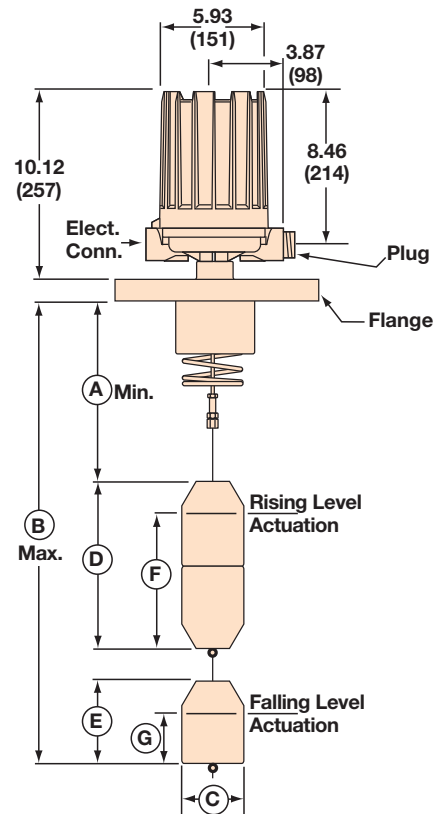
STANDARD ACTUATING LEVELS AND LIQUID SPECIFIC GRAVITY

Displacer Type	Liquid Temp. °F	0.60		0.70		0.80		0.90		1.00	
		F	G	F	G	F	G	F	G	F	G
Porcelain	100	5.30 (134)	1.50 (38)	4.10 (104)	1.20 (30)	3.20 (81)	1.10 (27)	2.50 (63)	1.00 (25)	2.00 (50)	0.90 (22)
	200	—	—	4.80 (121)	2.00 (50)	3.80 (96)	1.80 (45)	3.00 (76)	1.60 (40)	2.50 (63)	1.50 (38)
	300	—	—	—	—	4.30 (109)	2.40 (60)	3.40 (86)	2.10 (53)	2.90 (73)	1.90 (48)
	400	—	—	—	—	—	—	3.40 (86)	2.60 (66)	2.90 (73)	2.40 (60)
Stainless Steel or Karbate	100	7.00 (177)	2.40 (60)	5.30 (134)	2.00 (50)	4.10 (104)	1.80 (45)	3.10 (78)	1.60 (40)	2.40 (60)	1.40 (35)
	200	—	—	5.90 (149)	2.80 (71)	4.70 (119)	2.50 (63)	3.60 (91)	2.20 (55)	2.80 (71)	2.00 (50)
	300	—	—	—	—	5.10 (129)	3.10 (78)	4.00 (101)	2.70 (68)	3.20 (81)	2.40 (60)
Stainless Steel	400	—	—	—	—	—	—	4.40 (111)	3.20 (81)	3.60 (91)	2.90 (73)
	500	—	—	—	—	—	—	—	—	3.90 (99)	3.30 (83)

Note: All levels $\pm 0.25"$ (6).



Model A10
with Threaded Mounting



Model A10
with Flanged Mounting

SPECIFICATIONS

MODEL A15 DIMENSIONAL DATA AND ACTUATION LEVELS *

INCHES (MM)

Outline Dimensions				
Displacer Type	Threaded Mounting		Flanged Mounting	
	A	B	A	B
Porcelain	5.62 (142)	122.00 (3098)	7.62 (193)	124.00 (3149)
Stainless Steel, Karbate or Hollow Brass	5.62 (142)	122.00 (3098)	7.62 (193)	124.00 (3149)

Displacer Type	C	D
Porcelain	2.56 (65)	7.25 (184)
Stainless Steel, Karbate or Hollow Brass	2.50 (63)	9.00 (228)

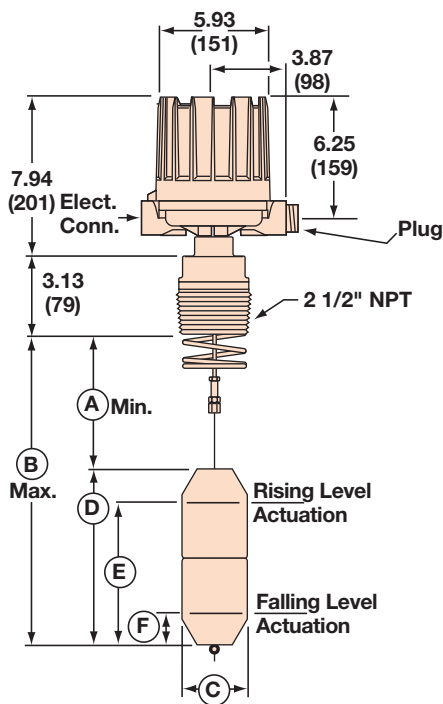
Electrical Connections
TYPE 4X/7/9, Group B: 1" NPT NEMA 1 Pneumatic: 1/4" NPT

STANDARD ACTUATING LEVELS AND LIQUID SPECIFIC GRAVITY

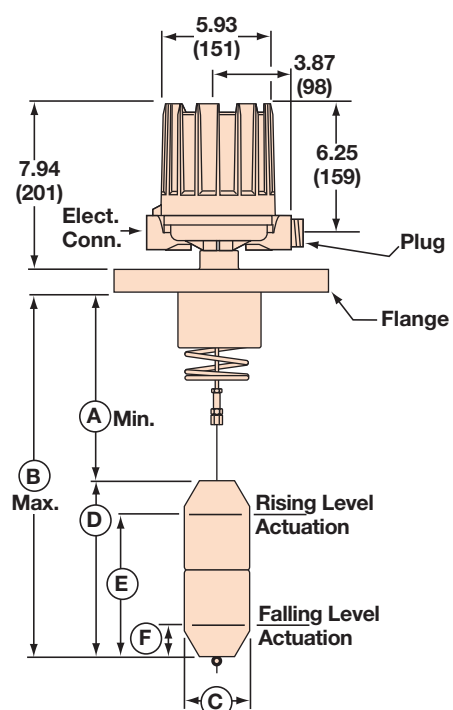
Displacer Type	Liquid Temp. °F	0.50		0.60		0.70		0.80		0.90		1.00	
		E	F	E	F	E	F	E	F	E	F	E	F
Porcelain	100	—	—	5.10 (129)	2.10 (53)	4.50 (114)	1.70 (43)	3.90 (99)	1.70 (43)	3.50 (88)	1.50 (38)	3.20 (81)	1.40 (35)
	200	—	—	5.60 (142)	2.60 (66)	4.90 (124)	2.10 (53)	4.30 (109)	2.10 (53)	3.80 (96)	1.80 (45)	3.50 (88)	1.70 (43)
	300	—	—	—	—	5.20 (132)	2.40 (60)	4.50 (114)	2.30 (58)	4.10 (104)	2.10 (53)	3.70 (93)	1.90 (48)
	400	—	—	—	—	5.60 (142)	2.80 (71)	4.80 (121)	2.60 (66)	4.30 (109)	2.30 (58)	3.90 (99)	2.10 (53)
	500	—	—	—	—	—	—	5.10 (129)	2.90 (73)	4.60 (116)	2.60 (66)	4.20 (106)	2.40 (60)
Stainless Steel, Karbate or Hollow Brass	100	5.40 (137)	2.00 (50)	4.50 (114)	1.60 (40)	3.90 (99)	1.40 (35)	3.40 (86)	1.20 (30)	3.00 (76)	1.10 (27)	2.70 (68)	1.00 (25)
	200	6.00 (152)	2.60 (66)	5.00 (127)	2.10 (53)	4.30 (109)	1.80 (45)	3.70 (93)	1.60 (40)	3.30 (83)	1.40 (35)	3.00 (76)	1.30 (33)
	300	6.40 (162)	3.00 (76)	5.30 (134)	2.40 (60)	4.60 (116)	2.10 (53)	4.00 (101)	1.80 (45)	3.60 (91)	1.70 (43)	3.20 (81)	1.50 (38)
Stainless Steel	400	6.90 (175)	3.50 (88)	5.70 (144)	2.80 (71)	4.90 (124)	2.40 (60)	4.30 (109)	2.10 (53)	3.80 (96)	1.90 (48)	3.40 (86)	1.70 (43)
	500	—	—	6.10 (154)	3.20 (81)	5.20 (132)	2.80 (71)	4.60 (116)	2.40 (60)	4.10 (104)	2.20 (55)	3.70 (93)	2.00 (50)

Note: All levels ±0.25" (6).

*See page 21 for PROOF-ER and/or floating rooftop switch dimensions.



Model A15
with Threaded Mounting



Model A15
with Flanged Mounting

SPECIFICATIONS

MODEL B10 DIMENSIONAL DATA

INCHES (MM)

Outline Dimensions				
Displacer Type	Threaded Mounting		Flanged Mounting	
	A	B	A	B
Porcelain	4.88 (123)	122.00 (3098)	6.88 (174)	124.00 (3149)
Stainless Steel or Karbate	4.75 (120)	122.00 (3098)	6.75 (171)	124.00 (3149)

MODEL B10 WITH DISPLACER ARRANGEMENTS 3, 4, AND 5

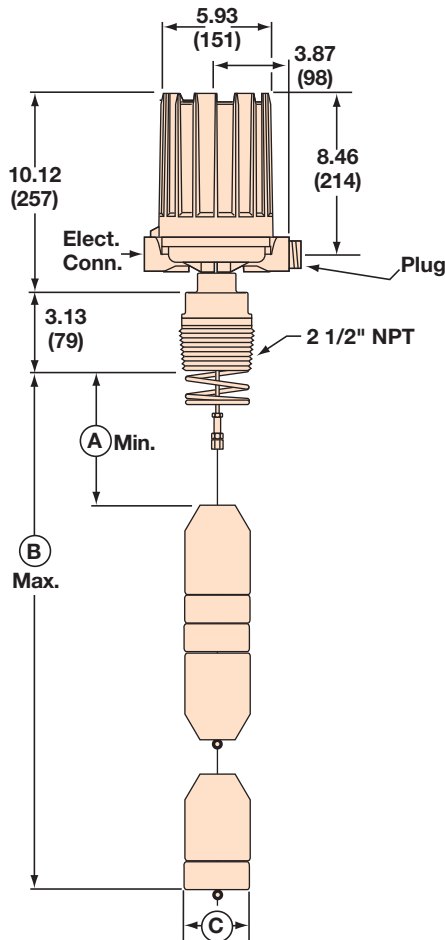
Displacer Type	C	D	E	F
Porcelain	2.56 (65)	5.02 (127)	5.02 (127)	5.02 (127)
Stainless Steel or Karbate	2.50 (63)	6.00 (152)	6.00 (152)	6.00 (152)

MODEL B10 WITH DISPLACER ARRANGEMENTS 1 AND 2

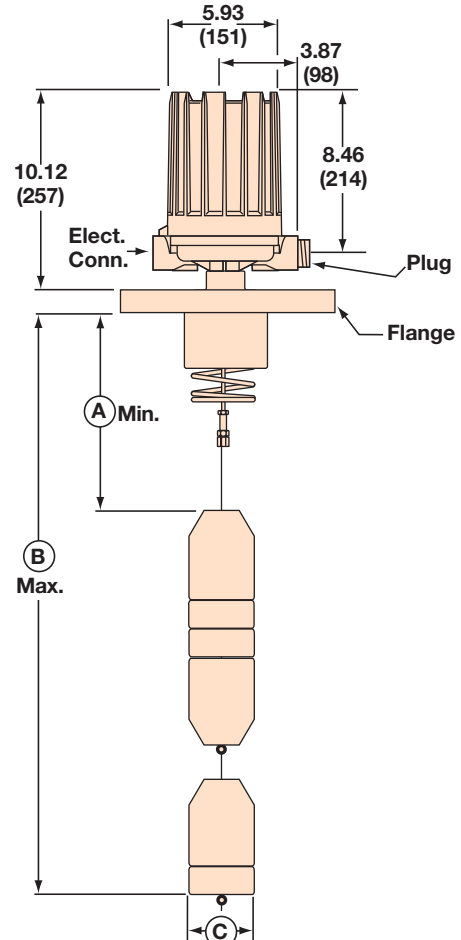
Displacer Type	C	D	E
Porcelain	2.56 (65)	10.04 (255)	5.02 (127)
Stainless Steel or Karbate	2.50 (63)	12.00 (304)	6.00 (152)

Electrical Connections

TYPE 4X/7/9
Group B: 1" NPT



Model B10
with Threaded Mounting



Model B10
with Flanged Mounting

SPECIFICATIONS

MODEL B10 ACTUATION LEVELS

INCHES (MM)

B10 STANDARD ACTUATING LEVELS AND LIQUID SPECIFIC GRAVITY WITH DISPLACER ARRANGEMENT 1

Displacer Type	Liquid Temp. ° F	Level	0.60 - 0.64	0.65 - 0.71	0.72 - 0.73	0.74 - 0.82	0.83 - 0.92	0.93 - 1.00	1.01 - 1.07
Porcelain	100	F	7.79 - 7.04 (197 - 178)	7.66 - 6.65 (194 - 168)	7.22 - 7.06 (133 - 179)	6.91 - 5.81 (175 - 147)	6.73 - 5.65 (180 - 143)	5.55 - 4.86 (140 - 123)	4.97 - 4.53 (126 - 115)
		G	2.62 - 2.19 (56 - 55)	2.88 - 2.28 (73 - 57)	2.91 - 2.81 (73 - 71)	2.71 - 2.03 (68 - 51)	2.99 - 2.28 (75 - 57)	2.21 - 1.76 (56 - 44)	1.90 - 1.63 (48 - 41)
		H	2.01 - 1.89 (51 - 48)	1.86 - 1.70 (47 - 43)	1.68 - 1.65 (42 - 41)	1.63 - 1.47 (41 - 37)	1.45 - 1.31 (36 - 33)	1.30 - 1.21 (33 - 30)	1.02 - 0.97 (25 - 24)
	200	F	7.91 (200)	7.72 - 6.71 (196 - 170)	6.56 - 6.41 (166 - 162)	6.73 - 5.66 (170 - 143)	6.37 - 5.33 (161 - 135)	6.15 - 5.42 (156 - 137)	5.02 - 4.57 (127 - 116)
		G	3.06 (77)	2.95 - 2.34 (74 - 59)	2.25 - 2.16 (57 - 54)	2.54 - 1.87 (64 - 47)	2.63 - 1.95 (66 - 49)	2.81 - 2.32 (71 - 58)	1.94 - 1.67 (49 - 42)
		H	2.76 (70)	2.72 - 2.49 (69 - 63)	2.45 - 2.42 (62 - 61)	2.39 - 2.15 (60 - 54)	2.13 - 1.92 (54 - 48)	1.90 - 1.77 (48 - 44)	1.58 - 1.49 (40 - 37)
	300	F	—	—	—	7.48 - 6.34 (189 - 161)	7.04 - 5.93 (178 - 150)	6.75 - 5.98 (171 - 151)	5.57 - 5.10 (141 - 129)
		G	—	—	—	3.29 - 2.55 (83 - 64)	3.30 - 2.56 (83 - 65)	3.41 - 2.87 (86 - 72)	2.50 - 2.19 (63 - 55)
		H	—	—	—	3.14 - 2.83 (79 - 71)	2.80 - 2.53 (71 - 64)	2.50 - 2.32 (63 - 58)	2.13 - 2.01 (54 - 51)
	400	F	—	—	—	—	—	—	6.12 - 5.62 (155 - 142)
		G	—	—	—	—	—	—	3.05 - 2.72 (77 - 69)
		H	—	—	—	—	—	—	2.68 - 2.53 (68 - 64)

Note: All levels ±0.25" (6).

Displacer Type	Liquid Temp. ° F	Level	1.08 - 1.12	1.13 - 1.17	1.18 - 1.27	1.28 - 1.30	1.31 - 1.39	1.40 - 1.50
Porcelain	100	F	4.47 - 4.20 (113 - 106)	4.90 - 4.64 (124 - 117)	4.57 - 4.05 (116 - 102)	3.99 - 3.89 (101 - 98)	4.23 - 3.82 (107 - 97)	3.77 - 3.33 (95 - 84)
		G	1.59 - 1.43 (40 - 36)	2.16 - 1.99 (54 - 50)	1.94 - 1.60 (49 - 40)	1.57 - 1.50 (39 - 38)	1.86 - 1.59 (47 - 40)	1.56 - 1.26 (39 - 32)
		H	0.96 - 0.92 (24 - 23)	0.92 - 0.88 (23 - 22)	0.88 - 0.81 (22 - 20)	0.81 - 0.80 (20 - 20)	0.79 - 0.74 (20 - 18)	0.74 - 0.69 (18 - 17)
	200	F	4.66 - 4.39 (118 - 111)	4.33 - 4.08 (109 - 103)	4.32 - 3.81 (109 - 96)	4.29 - 4.18 (108 - 106)	4.13 - 3.73 (104 - 94)	3.93 - 3.47 (99 - 88)
		G	1.79 - 1.62 (45 - 41)	1.58 - 1.43 (40 - 36)	1.69 - 1.36 (42 - 34)	1.87 - 1.80 (47 - 45)	1.76 - 1.49 (44 - 37)	1.71 - 1.40 (43 - 35)
		H	1.48 - 1.42 (37 - 36)	1.41 - 1.36 (35 - 34)	1.35 - 1.25 (34 - 31)	1.24 - 1.23 (31 - 31)	1.22 - 1.15 (30 - 29)	1.14 - 1.06 (28 - 26)
	300	F	5.18 - 4.89 (131 - 124)	4.82 - 4.56 (122 - 115)	4.79 - 4.25 (121 - 107)	4.73 - 4.61 (120 - 117)	4.56 - 4.13 (115 - 104)	4.32 - 3.84 (109 - 97)
		G	2.31 - 2.12 (58 - 53)	2.08 - 1.91 (52 - 48)	2.16 - 1.80 (54 - 45)	2.31 - 2.23 (58 - 56)	2.19 - 1.90 (55 - 48)	2.11 - 1.78 (53 - 45)
		H	1.99 - 1.92 (50 - 48)	1.90 - 1.84 (48 - 46)	1.82 - 1.69 (45 - 42)	1.68 - 1.66 (42 - 42)	1.64 - 1.55 (41 - 39)	1.54 - 1.43 (39 - 36)
	400	F	5.70 - 5.39 (144 - 136)	5.32 - 5.04 (135 - 128)	5.26 - 4.69 (133 - 119)	5.17 - 5.04 (131 - 128)	4.98 - 4.53 (126 - 115)	4.72 - 4.22 (119 - 107)
		G	2.82 - 2.62 (71 - 66)	2.57 - 2.39 (65 - 60)	2.63 - 2.24 (66 - 56)	2.74 - 2.66 (69 - 67)	2.61 - 2.30 (66 - 58)	2.51 - 2.15 (63 - 54)
		H	2.51 - 2.42 (63 - yt61)	2.40 - 2.32 (60 - 58)	2.30 - 2.13 (58 - 54)	2.12 - 2.08 (53 - 52)	2.07 - 1.95 (52 - 49)	1.94 - 1.81 (49 - 45)
500	F	6.22 - 5.89 (157 - 149)	5.81 - 5.52 (147 - 140)	5.74 - 5.13 (145 - 130)	5.60 - 5.47 (142 - 138)	5.41 - 4.93 (137 - 125)	5.12 - 4.59 (130 - 116)	
	G	3.34 - 3.12 (84 - 79)	3.07 - 2.86 (77 - 72)	3.11 - 2.68 (78 - 68)	3.18 - 3.09 (80 - 78)	3.04 - 2.70 (77 - 68)	2.91 - 2.52 (73 - 64)	
	H	3.03 - 2.92 (76 - 74)	2.89 - 2.79 (73 - 70)	2.77 - 2.57 (70 - 65)	2.55 - 2.51 (64 - 63)	2.50 - 2.35 (63 - 59)	2.33 - 2.18 (59 - 55)	

Note: All levels ±0.25" (6).

SPECIFICATIONS

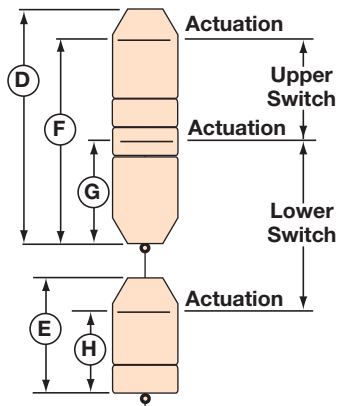
MODEL B10 ACTUATION LEVELS (cont.)

INCHES (MM)

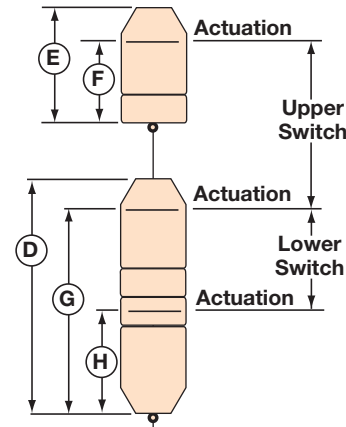
B10 STANDARD ACTUATING LEVELS AND LIQUID SPECIFIC GRAVITY WITH DISPLACER ARRANGEMENT 1 (cont.)

Displacer Type	Liquid Temp. ° F	Level	0.50 - 0.58	0.59 - 0.71	0.72 - 0.79	0.80 - 0.85	0.86 - 1.00	1.01 - 1.03
Stainless Steel and Karbate	100	F	9.91 - 7.72 (251 - 196)	9.19 - 6.62 (233 - 168)	8.44 - 7.16 (214 - 181)	7.66 - 6.86 (194 - 174)	6.71 - 4.93 (170 - 125)	4.82 - 4.61 (122 - 117)
		G	3.46 - 2.16 (86 - 54)	3.72 - 2.08 (94 - 52)	3.96 - 3.07 (100 - 77)	3.63 - 3.07 (92 - 77)	2.96 - 1.71 (75 - 43)	1.63 - 1.48 (41 - 37)
		H	2.51 - 2.16 (63 - 54)	2.13 - 1.77 (54 - 44)	1.74 - 1.59 (44 - 40)	1.57 - 1.48 (39 - 37)	1.46 - 1.25 (37 - 31)	1.24 - 1.22 (31 - 30)
	200	F	10.22 - 7.98 (259 - 202)	7.74 - 7.44 (196 - 188)	7.50 - 6.30 (190 - 160)	6.15 - 5.44 (156 - 138)	6.97 - 5.15 (177 - 130)	—
		G	3.76 - 2.42 (95 - 61)	2.27 - 1.89 (57 - 48)	3.02 - 2.22 (76 - 56)	2.12 - 1.64 (53 - 41)	3.22 - 1.93 (81 - 49)	—
		H	3.67 - 3.16 (93 - 80)	3.11 - 2.58 (78 - 65)	2.55 - 2.32 (64 - 58)	2.29 - 2.16 (58 - 54)	2.13 - 1.84 (54 - 46)	—
	300	F	—	9.68 - 7.25 (245 - 184)	8.31 - 7.04 (211 - 178)	6.88 - 6.12 (174 - 155)	7.65 - 5.73 (194 - 145)	—
		G	—	4.30 - 2.70 (109 - 68)	3.83 - 2.96 (97 - 75)	2.84 - 2.32 (72 - 58)	3.89 - 2.51 (98 - 63)	—
		H	—	4.03 - 3.40 (102 - 86)	3.36 - 3.06 (85 - 77)	3.02 - 2.84 (76 - 72)	2.81 - 2.42 (71 - 61)	—
Stainless Steel	400	F	—	—	9.11 - 7.77 (231 - 197)	7.60 - 6.80 (193 - 172)	8.32 - 6.32 (211 - 160)	—
		G	—	—	4.63 - 3.69 (117 - 93)	3.57 - 3.01 (90 - 76)	4.57 - 3.09 (116 - 78)	—
		H	—	—	4.16 - 3.79 (105 - 96)	3.75 - 3.53 (95 - 89)	3.48 - 3.00 (88 - 76)	—
	500	F	—	—	—	—	9.00 - 6.90 (228 - 175)	—
		G	—	—	—	—	5.24 - 3.67 (133 - 93)	—
		H	—	—	—	—	4.16 - 3.58 (105 - 90)	—

Note: All levels $\pm 0.25"$ (6).



Model B10
Displacer Arrangement 1



Model B10
Displacer Arrangement 2

SPECIFICATIONS

MODEL B10 ACTUATION LEVELS (cont.)

INCHES (MM)

B10 STANDARD ACTUATING LEVELS AND LIQUID SPECIFIC GRAVITY WITH DISPLACER ARRANGEMENT 2

Displacer Type	Liquid Temp. ° F	Level	0.60 - 0.64	0.65 - 0.71	0.72 - 0.73	0.74 - 0.82	0.83 - 0.92	0.93 - 1.00	1.01 - 1.07
Porcelain	100	F	2.77 - 2.01 (70 - 51)	2.63 - 1.62 (66 - 41)	2.67 - 2.51 (67 - 63)	2.58 - 1.42 (65 - 36)	3.16 - 1.94 (80 - 49)	1.82 - 1.04 (45 - 26)	1.69 - 1.23 (42 - 31)
		G	7.27 - 6.84 (184 - 173)	7.54 - 6.93 (191 - 176)	7.56 - 7.46 (192 - 189)	7.36 - 6.68 (186 - 169)	7.64 - 6.93 (194 - 176)	6.86 - 6.41 (174 - 162)	5.15 - 4.89 (130 - 124)
		H	2.67 - 2.53 (67 - 64)	3.29 - 3.05 (83 - 77)	3.73 - 3.68 (94 - 93)	3.64 - 3.32 (92 - 84)	4.32 - 3.93 (109 - 99)	3.90 - 3.65 (99 - 92)	2.42 - 2.31 (61 - 58)
	200	F	3.15 (80)	2.96 - 1.93 (75 - 49)	1.77 - 1.62 (44 - 41)	2.64 - 1.47 (67 - 37)	2.79 - 1.61 (70 - 40)	2.79 - 1.94 (70 - 49)	1.56 - 1.11 (39 - 28)
		G	7.71 (195)	7.60 - 6.99 (193 - 177)	6.90 - 6.81 (175 - 172)	7.19 - 6.52 (182 - 165)	7.28 - 6.60 (184 - 167)	7.46 - 6.97 (189 - 177)	5.19 - 4.92 (131 - 124)
		H	3.40 (86)	3.36 - 3.10 (85 - 78)	3.07 - 3.03 (77 - 76)	3.46 - 3.16 (87 - 80)	3.96 - 3.61 (100 - 91)	4.50 - 4.21 (114 - 106)	2.46 - 2.35 (62 - 59)
	300	F	—	—	—	3.39 - 2.15 (86 - 54)	3.47 - 2.22 (88 - 56)	3.39 - 2.50 (86 - 63)	2.11 - 1.63 (53 - 41)
		G	—	—	—	7.94 - 7.20 (201 - 182)	7.95 - 7.21 (201 - 183)	8.06 - 7.53 (204 - 191)	5.75 - 5.45 (146 - 138)
		H	—	—	—	4.21 - 3.84 (106 - 97)	4.63 - 4.21 (117 - 106)	5.10 - 4.77 (129 - 121)	3.02 - 2.87 (76 - 72)
	400	F	—	—	—	—	—	—	2.67 - 2.15 (67 - 54)
		G	—	—	—	—	—	—	6.30 - 5.97 (160 - 151)
		H	—	—	—	—	—	—	3.57 - 3.39 (90 - 86)

Note: All levels ±0.25" (6).

Displacer Type	Liquid Temp. ° F	Level	1.08 - 1.12	1.13 - 1.17	1.18 - 1.27	1.28 - 1.30	1.31 - 1.39	1.40 - 1.50
Porcelain	100	F	1.16 - 0.89 (29 - 22)	2.04 - 1.75 (51 - 44)	1.68 - 1.10 (42 - 27)	1.04 - 0.92 (26 - 23)	2.05 - 1.56 (52 - 39)	1.50 - 0.97 (38 - 24)
		G	4.84 - 4.68 (122 - 118)	5.41 - 5.24 (137 - 133)	5.20 - 4.85 (132 - 123)	4.82 - 4.75 (122 - 120)	5.11 - 4.84 (129 - 122)	4.81 - 4.51 (122 - 114)
		H	2.29 - 2.22 (58 - 56)	2.97 - 2.88 (75 - 73)	2.86 - 2.68 (72 - 68)	2.66 - 2.63 (67 - 66)	3.01 - 2.85 (76 - 72)	2.84 - 2.67 (72 - 67)
	200	F	1.68 - 1.38 (42 - 35)	1.31 - 1.05 (33 - 26)	1.71 - 1.13 (43 - 28)	1.75 - 1.62 (44 - 41)	1.56 - 1.09 (39 - 27)	1.53 - 1.00 (38 - 25)
		G	5.04 - 4.88 (128 - 123)	4.84 - 4.68 (122 - 118)	4.94 - 4.62 (125 - 117)	5.12 - 5.05 (130 - 128)	5.01 - 4.75 (127 - 120)	4.96 - 4.65 (125 - 118)
		H	2.49 - 2.41 (63 - 61)	2.39 - 2.33 (60 - 59)	2.60 - 2.44 (66 - 61)	2.97 - 2.93 (73 - 70)	2.91 - 2.76 (73 - 70)	2.99 - 2.82 (75 - 77)
	300	F	2.19 - 1.88 (55 - 47)	1.81 - 1.52 (45 - 38)	2.19 - 1.57 (55 - 39)	2.18 - 2.05 (50 - 37)	1.98 - 1.49 (50 - 37)	1.93 - 1.37 (49 - 34)
		G	5.56 - 5.37 (141 - 136)	5.33 - 5.16 (135 - 131)	5.41 - 5.06 (137 - 128)	5.56 - 5.48 (138 - 130)	5.44 - 5.15 (138 - 130)	5.36 - 5.03 (136 - 127)
		H	3.01 - 2.91 (76 - 73)	2.89 - 2.80 (73 - 71)	3.07 - 2.88 (77 - 73)	3.40 - 3.36 (84 - 80)	3.33 - 3.16 (84 - 80)	3.39 - 3.19 (86 - 81)
	400	F	2.71 - 2.38 (68 - 60)	2.30 - 2.00 (58 - 50)	2.66 - 2.01 (67 - 51)	2.62 - 2.48 (61 - 48)	2.41 - 1.90 (61 - 48)	2.33 - 1.74 (59 - 44)
		G	6.08 - 5.87 (154 - 149)	5.82 - 5.64 (147 - 143)	5.89 - 5.49 (149 - 139)	5.99 - 5.91 (152 - 150)	5.87 - 5.55 (149 - 140)	5.76 - 5.40 (146 - 137)
		H	3.52 - 3.41 (89 - 86)	3.38 - 3.28 (85 - 83)	3.55 - 3.32 (90 - 84)	3.84 - 3.79 (97 - 96)	3.76 - 3.56 (95 - 90)	3.79 - 3.56 (96 - 90)
	500	F	3.23 - 2.88 (82 - 73)	2.80 - 2.48 (71 - 62)	3.13 - 2.45 (79 - 62)	3.05 - 2.91 (77 - 73)	2.84 - 2.30 (72 - 58)	2.73 - 2.11 (69 - 53)
		G	6.59 - 6.37 (167 - 161)	6.32 - 6.12 (160 - 155)	6.36 - 5.93 (161 - 150)	6.43 - 6.34 (163 - 161)	6.29 - 5.95 (159 - 151)	6.16 - 5.77 (156 - 146)
		H	4.04 - 3.91 (102 - 99)	3.88 - 3.76 (98 - 95)	4.02 - 3.76 (102 - 95)	4.28 - 4.21 (108 - 106)	4.19 - 3.97 (106 - 100)	4.19 - 3.93 (106 - 99)

Note: All levels ±0.25" (6).

SPECIFICATIONS

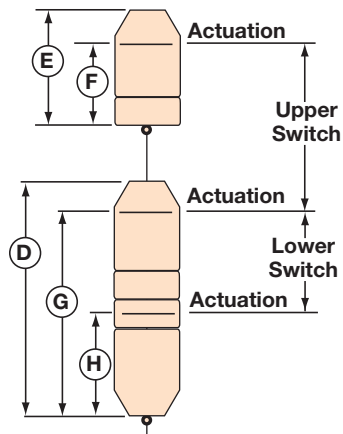
MODEL B10 ACTUATION LEVELS (cont.)

INCHES (MM)

B10 STANDARD ACTUATING LEVELS AND LIQUID SPECIFIC GRAVITY WITH DISPLACER ARRANGEMENT 2 (cont.)

Displacer Type	Liquid Temp. ° F	Level	0.50 - 0.58	0.59 - 0.71	0.72 - 0.79	0.80 - 0.85	0.86 - 1.00	1.01 - 1.03
Stainless Steel and Karbate	100	F	3.77 - 1.60 (95 - 40)	4.10 - 1.38 (104 - 35)	4.43 - 2.97 (112 - 75)	4.58 - 3.60 (24 - 91)	3.42 - 1.26 (86 - 31)	1.13 - 0.88 (28 - 22)
		G	9.46 - 8.16 (240 - 207)	9.72 - 8.08 (246 - 205)	9.96 - 9.07 (252 - 230)	9.63 - 9.07 (244 - 230)	8.96 - 7.71 (227 - 195)	7.63 - 7.48 (193 - 189)
		H	3.73 - 3.21 (94 - 81)	4.86 - 4.04 (123 - 102)	5.97 - 5.44 (151 - 138)	6.05 - 5.69 (153 - 144)	5.63 - 4.84 (143 - 122)	4.79 - 4.70 (121 - 119)
	200	F	4.22 - 1.98 (107 - 50)	1.74 - 1.44 (44 - 36)	3.74 - 2.35 (94 - 59)	2.17 - 1.33 (55 - 33)	3.89 - 1.66 (98 - 42)	—
		G	9.76 - 8.42 (247 - 213)	8.27 - 6.88 (210 - 174)	9.02 - 8.22 (229 - 208)	8.12 - 7.64 (206 - 194)	9.22 - 7.93 (234 - 201)	—
		H	4.03 - 3.47 (102 - 88)	3.41 - 2.84 (86 - 62)	5.04 - 4.59 (128 - 116)	4.53 - 4.27 (115 - 108)	5.88 - 5.06 (149 - 128)	—
	300	F	—	4.87 - 2.26 (123 - 57)	4.55 - 3.08 (115 - 78)	2.89 - 2.02 (73 - 51)	4.56 - 2.24 (115 - 56)	—
		G	—	10.30 - 8.70 (261 - 220)	9.83 - 8.96 (249 - 227)	8.84 - 8.32 (224 - 211)	9.89 - 8.51 (251 - 216)	—
		H	—	5.52 - 4.66 (140 - 118)	5.84 - 5.33 (148 - 135)	5.26 - 4.95 (133 - 125)	6.56 - 5.64 (166 - 131)	—
Stainless Steel	400	F	—	—	5.35 - 3.82 (135 - 97)	3.62 - 2.70 (91 - 68)	5.24 - 2.82 (133 - 71)	—
		G	—	—	10.63 - 9.69 (270 - 246)	9.57 - 9.01 (243 - 228)	10.57 - 9.09 (183 - 157)	—
		H	—	—	6.65 - 6.06 (168 - 153)	5.99 - 5.63 (152 - 143)	7.24 - 6.22 (183 - 157)	—
	500	F	—	—	—	—	5.91 - 3.41 (150 - 86)	—
		G	—	—	—	—	11.24 - 9.67 (285 - 245)	—
		H	—	—	—	—	7.91 - 6.80 (200 - 172)	—

Note: All levels ±0.25" (6).



Model B10
Displacer Arrangement 2

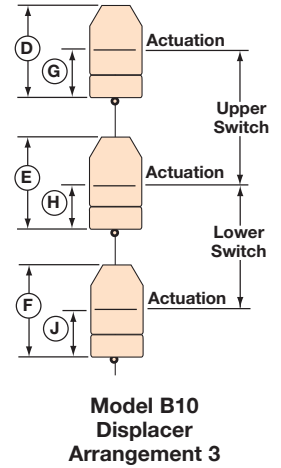
SPECIFICATIONS

MODEL B10 ACTUATION LEVELS (cont.)

INCHES (MM)

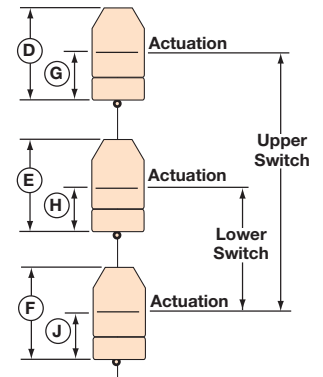
B10 STANDARD ACTUATING LEVELS AND LIQUID SPECIFIC GRAVITY WITH DISPLACER ARRANGEMENTS 3, 4, AND 5

Displacer Type	Liquid Temp. ° F	Level	0.60 - 0.64	0.65 - 0.71	0.72 - 0.73	0.74 - 0.82	0.83 - 0.92	0.93 - 1.00	1.01 - 1.07
Porcelain	100	G	2.77 - 2.01 (70 - 51)	2.63 - 1.62 (66 - 41)	2.67 - 2.51 (67 - 63)	2.58 - 1.42 (65 - 36)	3.16 - 1.94 (80 - 49)	1.82 - 1.04 (45 - 26)	1.69 - 1.23 (42 - 31)
		H	2.24 - 1.81 (56 - 45)	2.51 - 1.90 (63 - 48)	2.53 - 2.43 (64 - 61)	2.34 - 1.66 (59 - 42)	2.62 - 1.91 (66 - 48)	1.84 - 1.38 (46 - 35)	1.53 - 1.26 (38 - 32)
		J	2.01 - 1.89 (51 - 48)	1.86 - 1.70 (47 - 43)	1.68 - 1.65 (42 - 41)	1.63 - 1.47 (41 - 37)	1.45 - 1.31 (36 - 33)	1.30 - 1.21 (33 - 30)	1.02 - .097 (25 - 24)
	200	G	3.15 (80)	2.96 - 1.93 (75 - 49)	1.77 - 1.62 (44 - 41)	2.64 - 1.47 (67 - 37)	2.79 - 1.61 (70 - 40)	2.79 - 1.94 (70 - 49)	1.56 - 1.11 (39 - 28)
		H	2.69 (68)	2.57 - 1.96 (965 - 49)	1.87 - 1.78 (47 - 45)	2.16 - 1.50 (54 - 38)	2.25 - 1.58 (57 - 40)	2.44 - 1.94 (61 - 49)	1.40 - 1.14 (35 - 28)
		J	2.76 (70)	2.72 - 2.49 (69 - 63)	2.45 - 2.42 (62 - 61)	2.39 - 2.15 (60 - 54)	2.13 - 1.92 (54 - 48)	1.90 - 1.77 (48 - 44)	1.58 - 1.49 (40 - 37)
	300	G	—	—	—	3.39 - 2.15 (86 - 54)	3.47 - 2.22 (88 - 56)	3.39 - 2.50 (86 - 63)	2.11 - 1.63 (53 - 41)
		H	—	—	—	2.92 - 2.18 (74 - 55)	2.93 - 2.18 (74 - 55)	3.04 - 2.50 (77 - 63)	1.95 - 1.66 (49 - 42)
		J	—	—	—	3.14 - 2.83 (79 - 71)	2.80 - 2.53 (71 - 64)	2.50 - 2.32 (63 - 58)	2.13 - 2.01 (54 - 51)
	400	G	—	—	—	—	—	—	2.67 - 2.15 (67 - 54)
		H	—	—	—	—	—	—	2.68 - 2.34 (68 - 59)
		J	—	—	—	—	—	—	2.68 - 2.53 (68 - 64)

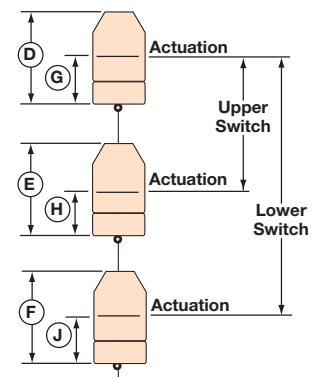


Note: All levels ±0.25" (6).

Displacer Type	Liquid Temp. ° F	Level	1.08 - 1.12	1.13 - 1.17	1.18 - 1.27	1.28 - 1.30	1.31 - 1.39	1.40 - 1.50
Porcelain	100	G	1.16 - 0.89 (29 - 22)	2.04 - 1.75 (51 - 44)	1.68 - 1.10 (42 - 27)	1.04 - 0.92 (26 - 23)	2.05 - 1.56 (52 - 39)	1.50 - 0.97 (38 - 24)
		H	1.22 - 1.06 (30 - 26)	1.78 - 1.61 (45 - 40)	1.57 - 1.23 (39 - 31)	1.19 - 1.12 (30 - 28)	1.49 - 1.21 (37 - 30)	1.18 - 0.89 (29 - 22)
		J	0.96 - 0.92 (24 - 23)	0.92 - 0.88 (23 - 22)	0.88 - 0.81 (22 - 20)	0.81 - 0.80 (20 - 20)	0.79 - 0.74 (20 - 18)	0.74 - 0.69 (18 - 17)
	200	G	1.68 - 1.38 (42 - 35)	1.31 - 1.05 (33 - 26)	1.71 - 1.13 (43 - 28)	1.75 - 1.62 (44 - 41)	1.56 - 1.09 (39 - 27)	1.53 - 1.00 (38 - 25)
		H	1.42 - 1.25 (36 - 31)	1.21 - 1.06 (30 - 26)	1.31 - 0.99 (33 - 25)	1.50 - 1.42 (38 - 36)	1.39 - 1.12 (35 - 28)	1.33 - 1.03 (33 - 26)
		J	1.48 - 1.42 (37 - 36)	1.41 - 1.36 (35 - 34)	1.35 - 1.25 (34 - 31)	1.24 - 1.23 (31 - 31)	1.22 - 1.15 (30 - 29)	1.14 - 1.06 (28 - 26)
	300	G	2.19 - 1.88 (55 - 47)	1.81 - 1.52 (45 - 38)	2.19 - 1.57 (55 - 39)	2.18 - 2.05 (50 - 37)	1.98 - 1.49 (50 - 37)	1.93 - 1.37 (49 - 34)
		H	1.93 - 1.75 (49 - 44)	1.70 - 1.53 (43 - 38)	1.79 - 1.43 (45 - 36)	1.93 - 1.85 (49 - 46)	1.81 - 1.52 (45 - 38)	1.73 - 1.40 (43 - 35)
		J	1.99 - 1.92 (50 - 48)	1.90 - 1.84 (48 - 46)	1.82 - 1.69 (45 - 42)	1.68 - 1.66 (42 - 42)	1.64 - 1.55 (41 - 39)	1.54 - 1.43 (39 - 36)
	400	G	2.71 - 2.38 (68 - 60)	2.30 - 2.00 (58 - 50)	2.66 - 2.01 (67 - 51)	2.62 - 2.48 (61 - 48)	2.41 - 1.90 (61 - 48)	2.33 - 1.74 (59 - 44)
		H	2.45 - 2.25 (62 - 57)	2.20 - 2.01 (55 - 51)	2.26 - 1.87 (57 - 47)	2.37 - 2.28 (60 - 57)	2.24 - 1.92 (56 - 23)	2.13 - 1.77 (54 - 44)
		J	2.51 - 2.42 (63 - 61)	2.40 - 2.32 (60 - 58)	2.30 - 2.13 (58 - 54)	2.12 - 2.08 (53 - 52)	2.07 - 1.95 (52 - 49)	1.94 - 1.81 (49 - 45)
500	G	3.23 - 2.88 (82 - 73)	2.80 - 2.48 (71 - 62)	3.13 - 2.45 (79 - 62)	3.05 - 2.91 (77 - 73)	2.84 - 2.30 (72 - 58)	2.73 - 2.11 (69 - 53)	
	H	2.97 - 2.75 (75 - 69)	2.69 - 2.49 (68 - 63)	2.73 - 2.31 (69 - 58)	2.80 - 2.71 (71 - 68)	2.67 - 2.33 (67 - 59)	2.53 - 2.15 (64 - 54)	
	J	3.03 - 2.92 (76 - 74)	2.89 - 2.79 (73 - 70)	2.77 - 2.57 (70 - 65)	2.55 - 2.51 (64 - 63)	2.50 - 2.35 (63 - 59)	2.33 - 2.18 (59 - 55)	



Model B10 Displacer Arrangement 4



Model B10 Displacer Arrangement 5

Note: All levels ±0.25" (6).

SPECIFICATIONS

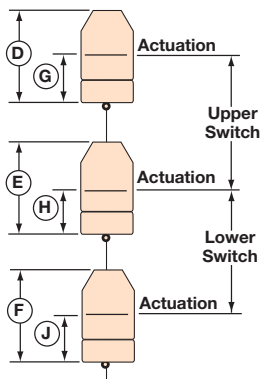
MODEL B10 ACTUATION LEVELS (cont.)

INCHES (MM)

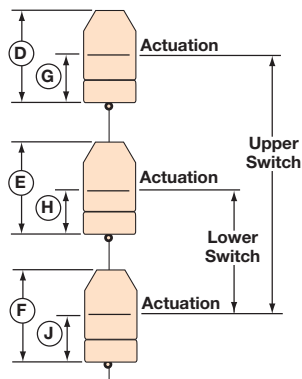
B10 STANDARD ACTUATING LEVELS AND LIQUID SPECIFIC GRAVITY WITH DISPLACER ARRANGEMENTS 3, 4, AND 5

Displacer Type	Liquid Temp. ° F	Level	0.50 - 0.58	0.59 - 0.71	0.72 - 0.79	0.80 - 0.85	0.86 - 1.00	1.01 - 1.03
Stainless Steel and Karbate	100	G	3.77 - 1.60 (95 - 40)	4.10 - 1.38 (104 - 35)	4.43 - 2.97 (112 - 75)	4.58 - 3.60 (24 - 91)	3.42 - 1.26 (86 - 31)	1.13 - 0.88 (28 - 22)
		H	3.46 - 2.16 (87 - 54)	3.72 - 2.08 (94 - 52)	3.96 - 3.07 (100 - 77)	3.63 - 3.07 (92 - 77)	2.96 - 1.71 (75 - 43)	1.45 - 1.31 (36 - 33)
		J	2.51 - 2.16 (63 - 54)	2.13 - 1.77 (54 - 44)	1.74 - 1.59 (44 - 40)	1.57 - 1.48 (39 - 37)	1.46 - 1.25 (37 - 31)	1.24 - 1.22 (31 - 30)
	200	G	4.22 - 1.98 (107 - 50)	1.74 - 1.44 (44 - 36)	3.74 - 2.35 (94 - 59)	2.17 - 1.33 (55 - 33)	3.89 - 1.66 (98 - 42)	—
		H	3.76 - 2.42 (95 - 61)	2.27 - 1.89 (57 - 48)	3.02 - 2.22 (76 - 56)	2.12 - 1.64 (53 - 41)	3.22 - 1.93 (81 - 49)	—
		J	3.67 - 3.16 (93 - 80)	3.11 - 2.58 (78 - 65)	2.55 - 2.32 (64 - 58)	2.29 - 2.16 (58 - 54)	2.13 - 1.84 (54 - 46)	—
	300	G	—	4.87 - 2.26 (123 - 57)	4.55 - 3.08 (115 - 78)	2.89 - 2.02 (73 - 51)	4.56 - 2.24 (115 - 56)	—
		H	—	4.30 - 2.70 (109 - 68)	3.83 - 2.96 (97 - 75)	2.84 - 2.32 (72 - 58)	3.89 - 2.51 (98 - 63)	—
		J	—	4.03 - 3.40 (102 - 86)	3.36 - 3.06 (85 - 77)	3.02 - 2.84 (76 - 72)	2.81 - 2.42 (71 - 61)	—
Stainless Steel	400	G	—	—	5.35 - 3.82 (135 - 97)	3.62 - 2.70 (91 - 68)	5.24 - 2.82 (133 - 71)	—
		H	—	—	4.63 - 3.69 (117 - 93)	3.57 - 3.01 (90 - 76)	4.57 - 3.09 (116 - 78)	—
		J	—	—	4.16 - 3.79 (105 - 96)	3.75 - 3.53 (95 - 89)	3.48 - 3.00 (88 - 76)	—
	500	G	—	—	—	—	5.91 - 3.41 (150 - 86)	—
		H	—	—	—	—	5.24 - 3.67 (133 - 93)	—
		J	—	—	—	—	4.16 - 3.58 (105 - 90)	—

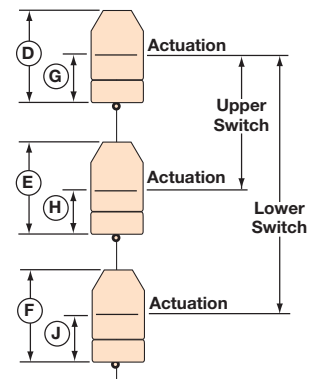
Note: All levels ±0.25" (6).



Model B10
Displacer
Arrangement 3



Model B10
Displacer
Arrangement 4



Model B10
Displacer
Arrangement 5

SPECIFICATIONS

MODEL B15 DIMENSIONAL DATA AND ACTUATION LEVELS*

INCHES (MM)

Outline Dimensions				
Displacer Type	Threaded Mounting		Flanged Mounting	
	A	B	A	B
Porcelain	5.50 (139)	123.00 (3124)	7.50 (190)	125.00 (3175)
Stainless Steel or Karbate	5.88 (149)	123.00 (3121)	7.88 (200)	125.00 (3175)

Displacer Type	C	D	E
Porcelain	2.56 (65)	7.25 (184)	5.02 (127)
Stainless Steel or Karbate	2.50 (63)	10.50 (266)	6.00 (152)

Electrical Connections
TYPE 4X/7/9, Group B: 1" NPT

B15 STANDARD ACTUATING LEVELS AND LIQUID SPECIFIC GRAVITY

Displacer Type	Liquid Temp. ° F	0.70				0.80			
		F	G	H	J	F	G	H	J
Stainless Steel or Karbate	100	9.50 (241)	5.00 (127)	4.90 (124)	1.30 (33)	7.60 (193)	3.70 (93)	4.30 (109)	1.10 (27)
	200	—	—	—	—	8.20 (208)	4.30 (109)	5.00 (127)	1.80 (45)

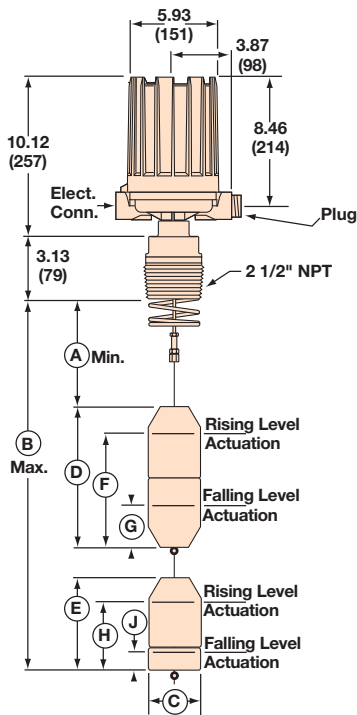
Note: All levels ±0.25" (6).

*See page 21 for PROOF-ER and/or floating rooftop switch dimensions.

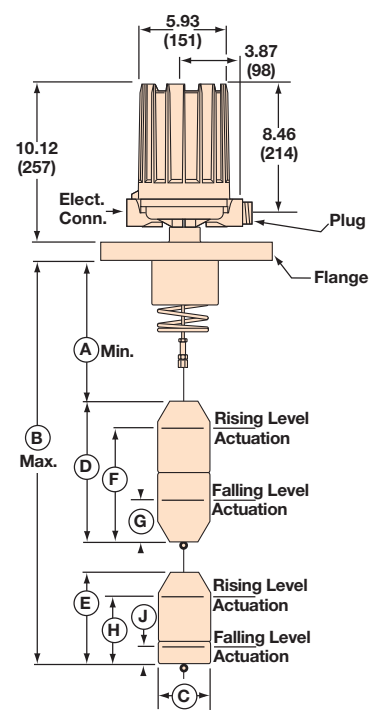
Displacer Type	Liquid Temp. ° F	0.95				1.00			
		F	G	H	J	F	G	H	J
Porcelain	100	5.50 (139)	2.00 (50)	3.70 (93)	1.00 (25)	5.00 (127)	1.70 (43)	3.50 (88)	0.80 (20)
Stainless Steel	100	5.50 (139)	2.00 (50)	3.70 (93)	1.00 (25)	4.90 (124)	1.70 (43)	3.40 (86)	0.90 (22)
	200	6.00 (152)	2.70 (68)	4.20 (106)	1.50 (38)	5.40 (137)	2.20 (55)	4.00 (101)	1.50 (38)
	300	6.40 (162)	3.10 (78)	4.70 (119)	2.00 (50)	5.70 (144)	2.50 (63)	4.40 (111)	1.90 (48)
Karbate	100	5.50 (139)	2.00 (50)	3.70 (93)	1.00 (25)	4.90 (124)	1.70 (43)	3.40 (86)	0.90 (22)
	200	6.00 (152)	2.70 (68)	4.20 (106)	1.50 (38)	5.40 (137)	2.20 (55)	4.00 (101)	1.50 (38)
	300	6.40 (162)	3.10 (78)	4.70 (119)	2.00 (50)	5.70 (144)	2.50 (63)	4.40 (111)	1.90 (48)

Note: All levels ±0.25" (6).

*See page 21 for PROOF-ER and/or floating rooftop switch dimensions.



Model B15
with Threaded Mounting



Model B15
with Flanged Mounting

SPECIFICATIONS

MODEL C10 DIMENSIONAL DATA

INCHES (MM)

MODEL C10 WITH ALL DISPLACER ARRANGEMENTS

Outline Dimensions				
Displacer Type	Threaded Mounting		Flanged Mounting	
	A	B	A	B
Porcelain	6.38 (965)	123.00 (3124)	8.38 (212)	125.00 (3175)
Stainless Steel or Karbate	5.75 (146)	123.00 (3124)	7.75 (196)	125.00 (3175)

MODEL C10 WITH DISPLACER ARRANGEMENTS A, B, AND C

Displacer Type	C	D	E	F	G
Porcelain	2.56 (65)	6.42 (163)	5.02 (127)	5.02 (127)	3.62 (91)
Stainless Steel or Karbate	2.50 (63)	6.00 (152)	6.00 (152)	4.50 (114)	4.50 (114)

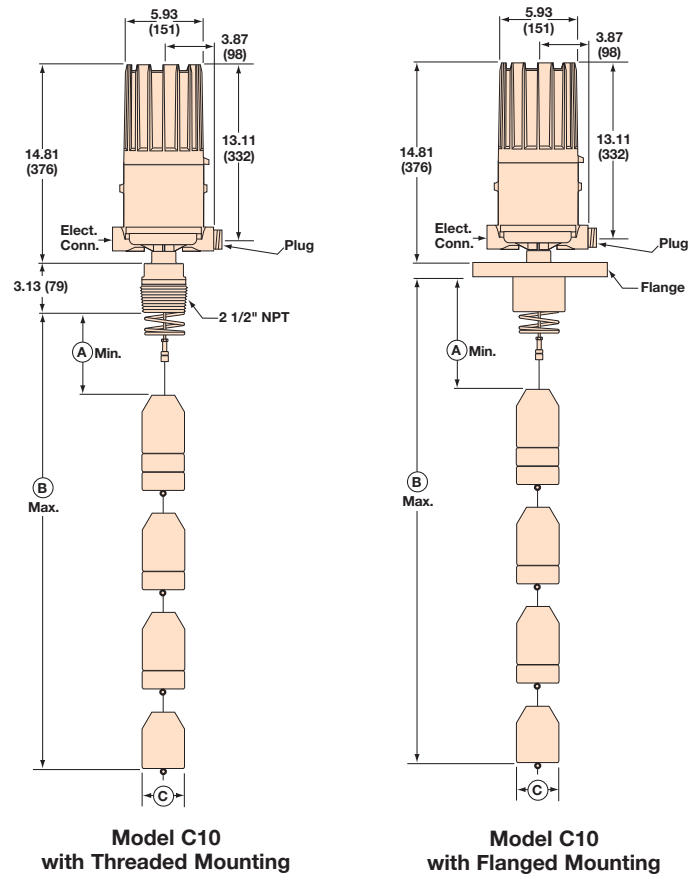
MODEL C10 WITH DISPLACER ARRANGEMENTS D AND F

Displacer Type	C	D	E	F
Porcelain	2.56 (65)	14.44 (367)	5.02 (127)	3.62 (91)
Stainless Steel or Karbate	2.50 (63)	12.00 (304)	4.50 (114)	4.50 (114)

MODEL C10 WITH DISPLACER ARRANGEMENTS E AND G

Displacer Type	C	D	E	F
Porcelain	2.56 (65)	6.42 (153)	5.02 (127)	8.65 (219)
Stainless Steel or Karbate	2.50 (63)	6.00 (152)	6.00 (152)	9.00 (228)

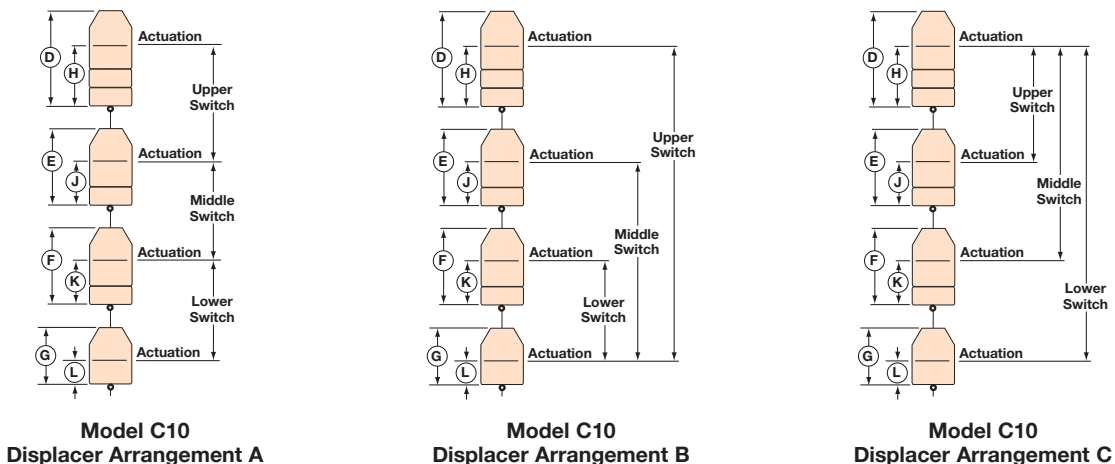
Electrical Connections	
TYPE 4X/7/9, Group B:	1" NPT



SPECIFICATIONS

MODEL C10 ACTUATION LEVELS

C10 STANDARD ACTUATING LEVELS AND LIQUID SPECIFIC GRAVITY WITH DISPLACER ARRANGEMENTS A, B, AND C



SPECIFICATIONS

MODEL C10 ACTUATION LEVELS (cont.)

C10 STANDARD ACTUATING LEVELS AND LIQUID SPECIFIC GRAVITY WITH DISPLACER ARRANGEMENTS A, B, AND C

PLEASE REFER TO PAGE 16 FOR DISPLACER ARRANGEMENTS A, B, AND C.

Displacer Type	Liquid Temp. ° F (° C)	0.58				0.60				0.70				0.80			
		H	J	K	L	H	J	K	L	H	J	K	L	H	J	K	L
Porcelain	100 (37.8)	—	—	—	—	—	—	—	—	2.5 (64)	2.2 (56)	2.2 (56)	2.0 (51)	2.3 (58)	2.0 (51)	1.9 (48)	1.7 (43)
	200 (93)	—	—	—	—	—	—	—	—	—	—	—	—	—	—	—	—
Stainless Steel or Karbate	100 (37.8)	4.5 (114)	3.7 (94)	3.2 (81)	2.3 (58)	3.8 (97)	3.2 (81)	3.0 (76)	2.2 (56)	4.2 (107)	3.8 (97)	2.1 (53)	1.9 (48)	1.8 (46)	2.2 (56)	1.3 (33)	1.7 (43)
	200 (93)	—	—	—	—	—	—	—	—	—	—	—	—	3.2 (81)	2.9 (74)	2.5 (64)	2.3 (58)
	300 (149)	—	—	—	—	—	—	—	—	—	—	—	—	—	—	—	—

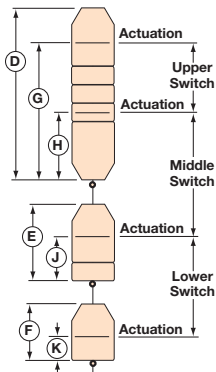
Note: All levels ±0.25" (6).

PLEASE REFER TO PAGE 16 FOR DISPLACER ARRANGEMENTS A, B, AND C.

Displacer Type	Liquid Temp. ° F (° C)	0.90				1.00				1.10				1.20			
		H	J	K	L	H	J	K	L	H	J	K	L	H	J	K	L
Porcelain	100 (37.8)	3.0 (76)	2.4 (61)	2.7 (69)	1.5 (38)	1.4 (36)	1.4 (36)	2.1 (53)	1.4 (36)	3.0 (76)	2.6 (66)	2.5 (64)	1.2 (30)	1.7 (43)	1.7 (43)	2.1 (53)	1.1 (28)
	200 (93)	—	—	—	—	3.2 (157)	2.7 (78)	2.8 (71)	1.7 (43)	1.7 (132)	1.7 (53)	2.3 (58)	1.6 (40)	—	—	—	—
Stainless Steel or Karbate	100 (37.8)	3.1 (79)	3.2 (81)	2.5 (64)	1.5 (38)	1.3 (33)	1.9 (48)	1.8 (45)	1.3 (33)	3.1 (79)	3.2 (81)	2.5 (64)	1.3 (33)	1.6 (41)	2.2 (56)	1.9 (48)	1.2 (30)
	200 (93)	3.6 (91)	3.6 (91)	1.7 (43)	2.0 (51)	1.7 (43)	2.3 (58)	1.1 (27)	1.8 (46)	—	—	—	—	—	—	—	—
	300 (149)	3.4 (86)	3.0 (76)	2.4 (61)	2.7 (69)	1.6 (41)	1.8 (46)	1.7 (43)	2.4 (61)	—	—	—	—	—	—	—	—

Note: All levels ±0.25" (6).

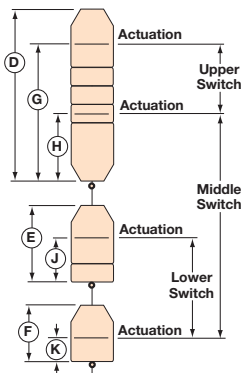
C10 STANDARD ACTUATING LEVELS AND LIQUID SPECIFIC GRAVITY WITH DISPLACER ARRANGEMENTS D AND F



Model C10 Displacer Arrangement D

Displacer Type	Liquid Temp. ° F	0.58				0.60				0.70				0.80			
		G	H	J	K	G	H	J	K	G	H	J	K	G	H	J	K
Porcelain	100	—	—	—	—	—	—	—	—	7.50 (190)	2.60 (66)	2.20 (55)	2.00 (50)	6.90 (175)	2.40 (60)	1.90 (48)	1.70 (43)
Stainless Steel or Karbate	100	9.90 (251)	3.70 (93)	3.20 (81)	2.30 (58)	9.20 (233)	3.20 (81)	3.00 (76)	2.20 (55)	8.90 (226)	3.80 (96)	2.10 (53)	1.90 (48)	6.70 (170)	2.20 (55)	1.30 (33)	1.70 (43)
	200	—	—	—	—	—	—	—	—	—	—	—	—	7.40 (187)	2.90 (73)	2.50 (63)	2.30 (58)

Note: All levels ±0.25" (6).



Model C10 Displacer Arrangement F

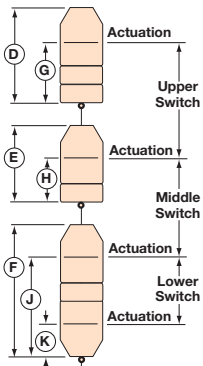
Displacer Type	Liquid Temp. ° F	0.90				1.00				1.10				1.20			
		G	H	J	K	G	H	J	K	G	H	J	K	G	H	J	K
Porcelain	100	6.60 (167)	2.80 (71)	2.70 (68)	1.50 (38)	5.20 (132)	1.80 (45)	2.10 (53)	1.40 (35)	6.10 (154)	3.00 (76)	2.50 (63)	1.20 (30)	5.00 (127)	2.10 (53)	2.10 (53)	1.10 (27)
	200	—	—	—	—	6.20 (157)	3.10 (78)	2.80 (71)	1.70 (43)	5.20 (132)	2.10 (53)	2.30 (58)	1.60 (40)	—	—	—	—
Stainless Steel or Karbate	100	7.20 (182)	3.20 (81)	2.50 (63)	1.50 (38)	5.50 (139)	1.90 (48)	1.80 (45)	1.30 (33)	6.40 (162)	3.20 (81)	2.50 (63)	1.30 (33)	5.20 (132)	2.20 (55)	1.90 (48)	1.20 (30)
	200	7.60 (193)	3.60 (91)	1.70 (43)	2.00 (50)	5.90 (149)	2.30 (58)	1.10 (27)	1.80 (45)	—	—	—	—	—	—	—	—
	300	7.00 (177)	3.00 (76)	2.40 (60)	2.70 (68)	5.40 (137)	1.80 (45)	1.70 (43)	2.40 (60)	—	—	—	—	—	—	—	—

Note: All levels ±0.25" (6).

SPECIFICATIONS

MODEL C10 ACTUATION LEVELS (cont.)

INCHES (MM)

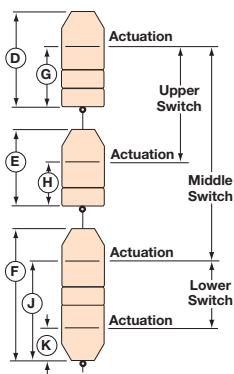


Model C10
Displacer Arrangement E

C10 STANDARD ACTUATING LEVELS AND LIQUID SPECIFIC GRAVITY WITH DISPLACER ARRANGEMENTS E AND G

Displacer Type	Liquid Temp. °F	0.58				0.60				0.70				0.80			
		G	H	J	K	G	H	J	K	G	H	J	K	G	H	J	K
Porcelain	100	—	—	—	—	—	—	—	—	2.50 (63)	2.20 (55)	5.80 (147)	1.90 (48)	2.30 (58)	2.00 (50)	5.50 (139)	2.10 (53)
Stainless Steel or Karbate	100	4.50 (114)	3.70 (93)	7.70 (195)	2.80 (71)	3.80 (96)	3.20 (81)	7.50 (190)	2.70 (68)	4.20 (106)	3.80 (96)	6.60 (167)	2.50 (63)	1.80 (45)	2.20 (55)	5.80 (147)	2.20 (55)
	200	—	—	—	—	—	—	—	—	—	—	—	—	3.20 (81)	2.90 (73)	7.00 (177)	3.40 (86)

Note: All levels ±0.25" (6).



Model C10
Displacer Arrangement G

Displacer Type	Liquid Temp. °F	0.90				1.00				1.10				1.20			
		G	H	J	K	G	H	J	K	G	H	J	K	G	H	J	K
Porcelain	100	3.00 (76)	2.40 (60)	6.30 (160)	3.20 (81)	1.40 (35)	1.40 (35)	5.70 (144)	1.90 (48)	3.00 (76)	2.60 (66)	6.10 (154)	3.60 (91)	1.70 (43)	1.70 (43)	5.70 (144)	3.40 (86)
	200	—	—	—	—	3.20 (81)	2.70 (68)	6.40 (162)	3.60 (91)	1.70 (43)	1.70 (43)	5.90 (149)	3.40 (86)	—	—	—	—
Stainless Steel or Karbate	100	3.10 (78)	3.20 (81)	7.00 (177)	3.80 (96)	1.30 (33)	1.90 (48)	6.30 (160)	3.40 (86)	3.10 (78)	3.20 (81)	7.00 (177)	4.40 (111)	1.60 (40)	2.20 (55)	6.40 (162)	4.00 (101)
	200	3.60 (91)	3.60 (91)	6.20 (157)	3.00 (76)	1.70 (43)	2.30 (58)	5.60 (142)	2.70 (68)	—	—	—	—	—	—	—	—
	300	3.40 (86)	3.00 (76)	6.90 (175)	3.70 (93)	1.60 (40)	1.80 (45)	6.20 (157)	3.30 (83)	—	—	—	—	—	—	—	—

Note: All levels ±0.25" (6).

SPECIFICATIONS

MODEL C15 ACTUATION LEVELS

INCHES (MM)

C15 STANDARD ACTUATING LEVELS AND LIQUID SPECIFIC GRAVITY

Displacer Type	Liquid Temp. °F	0.65						0.70						0.80					
		G	H	J	K	L	M	G	H	J	K	L	M	G	H	J	K	L	M
Porcelain	0 to +130	—	—	—	—	—	—	—	—	—	—	—	—	6.20 (157)	1.40 (35)	5.30 (134)	1.00 (25)	3.80 (96)	0.90 (22)
Stainless Steel or Karbate	0 to +130	7.70 (195)	2.20 (55)	6.10 (154)	2.00 (50)	4.90 (124)	1.40 (35)	6.70 (170)	1.60 (40)	5.50 (139)	1.60 (40)	4.60 (116)	1.30 (33)	6.50 (165)	2.00 (50)	5.20 (132)	1.60 (40)	4.30 (109)	1.10 (27)

Note: All levels ±0.25" (6).

Displacer Type	Liquid Temp. °F	0.90						1.00						1.10					
		G	H	J	K	L	M	G	H	J	K	L	M	G	H	J	K	L	M
Porcelain	0 to +130	6.20 (157)	1.90 (48)	5.00 (127)	1.40 (35)	3.60 (91)	1.00 (25)	4.60 (116)	0.70 (17)	4.00 (101)	0.80 (20)	3.30 (83)	0.90 (22)	4.20 (106)	1.10 (27)	3.80 (96)	1.00 (25)	3.10 (78)	0.90 (22)
Stainless Steel or Karbate	0 to +130	6.60 (167)	2.60 (66)	5.20 (132)	1.80 (45)	4.00 (101)	1.20 (30)	4.60 (116)	1.00 (25)	4.00 (101)	1.00 (25)	3.60 (91)	1.10 (27)	—	—	—	—	—	—

Note: All levels ±0.25" (6).

Displacer Type	Liquid Temp. °F	1.20						1.25					
		G	H	J	K	L	M	G	H	J	K	L	M
Porcelain	0 to +130	4.50 (114)	1.60 (40)	3.70 (93)	1.10 (27)	2.90 (73)	0.90 (22)	3.90 (99)	1.10 (27)	3.30 (83)	0.90 (22)	2.80 (71)	0.80 (20)

Note: All levels ±0.25" (6).

SPECIFICATIONS

MODEL C15 DIMENSIONAL DATA AND ACTUATION LEVELS

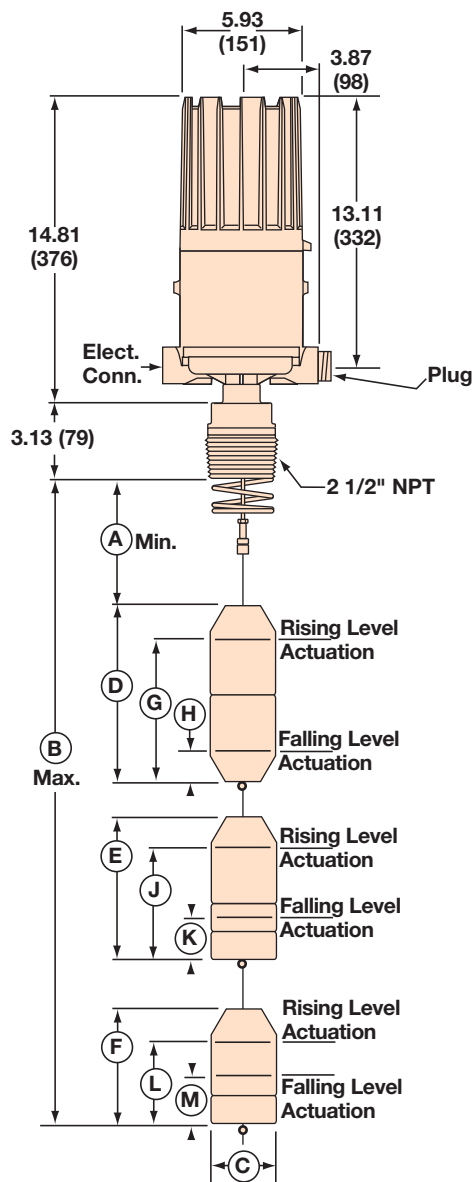
INCHES (MM)

OUTLINE DIMENSIONS				
Displacer Type	Threaded Mounting		Flanged Mounting	
	A	B	A	B
Porcelain	7.75 (196)	125.00 (3175)	9.75 (247)	127.00 (3225)
Stainless Steel or Karbate	7.25 (184)	124.00 (3149)	9.25 (234)	126.00 (3200)

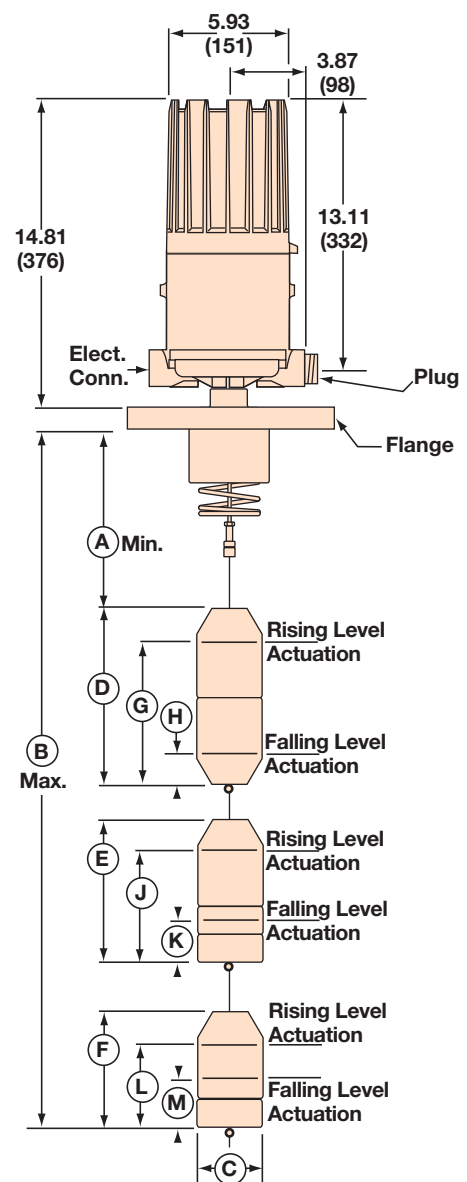
Displacer Type	C	D	E	F
Porcelain	2.56 (65)	7.25 (184)	6.42 (163)	5.02 (127)
Stainless Steel or Karbate	2.50 (63)	9.00 (228)	7.50 (190)	6.00 (152)

Electrical Connections

TYPE 4X/7/9, Group B: 1" NPT



Model C15
with Threaded Mounting



Model C15
with Flanged Mounting

MODEL NUMBER

SERIES A15 AND B15 FOR FLOATING ROOF DETECTION

PART NUMBER CODE

Part Number Code	Function	Materials of Construction
A15-1	Narrow differential, Single Stage	Carbon steel process connection, 300 series ss trim, 400 series sleeve
B15-1	Narrow differential, Dual Stage	

TANK CONNECTION

Tank Connection Code	Connection Type
E2	2½" NPT Threaded
H2	4" 125 lb. FF cast iron flange
H3	4" 150 lb. RF carbon steel flange
K2	6" 125 lb. FF cast iron flange
K3	6" 150 lb. RF carbon steel flange

DISPLACER MATERIAL AND PROOF-ER OPTION

Displacer Type and Material Code		
Floating Roof Only	Liquid & Floating Roof	PROOF-ER Type
Brass	Hollow Brass ①	
P	R	Without PROOF-ER
Q	T	Low Pressure PROOF-ER

① Available on model A15 only. Suitable for process liquids with SG greater than or equal to 0.40.

MODEL SELECTION CHART

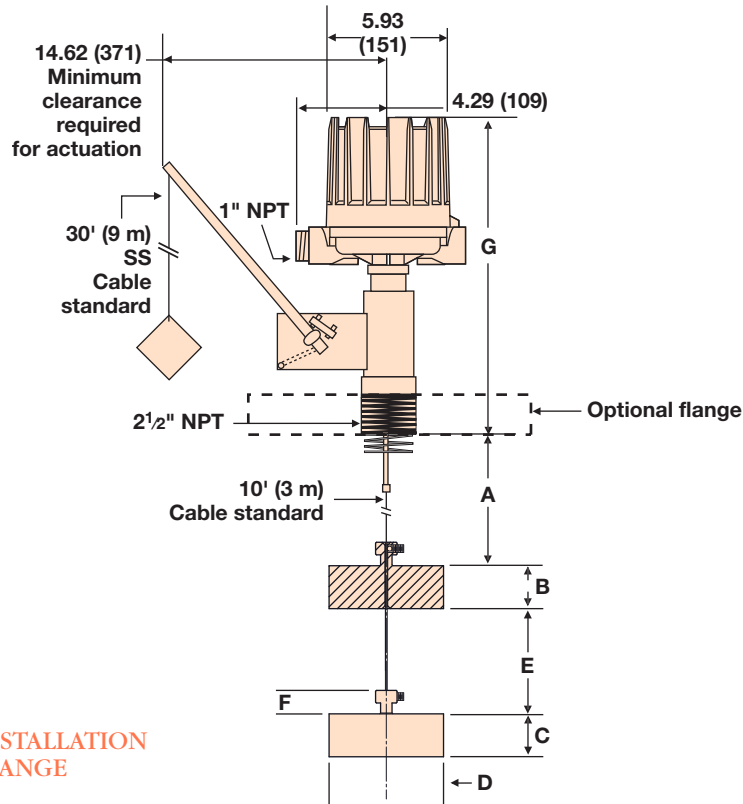
Switch Description	Process Temp. Range °F (°C)	CONTACTS	Model A15 Codes Single Set Point			Model B15 Codes Dual Set Points		
			TYPE 4X/7/9 Aluminum Enclosure					
			Cl. I, Div 1 Groups C & D	Cl. I, Div 1 Group B	ATEX Ex II 2 G EEx d IIC T6	Cl. I, Div 1 Groups C & D	Cl. I, Div 1 Group B	ATEX Ex II 2 G EEx d IIC T6
Series B Snap Switch	-40 to +250 (-40 to +121)	SPDT	BKQ	BKS	BA9	BLB	BLK	BD9
			DPDT	BNQ	BNS	BB9	BOB	BOK
Series C Snap Switch	-40 to +450 (-40 to +232)	SPDT	CKQ	CKS	CA9	CLB	CLK	CD9
			DPDT	CNQ	CNS	CB9	COB	COK
Series D DC Current Snap Switch	-40 to +250 (-40 to +121)	SPDT	DKQ	DKS	DA9	DLB	DLK	DD9
			DPDT	DNQ	DNS	DB9	DOB	DOK
Series F Herm. Sealed Snap Switch	-50 to +500 (-46 to +260)	SPDT	FKQ	FKS	FA9	FLB	FLK	FD9
			DPDT	FNQ	FNS	FB9	FOB	FOK
Series HS Herm. Sealed 5 Amp Snap Switch with Wiring Leads	-50 to +500 (-46 to +260)	SPDT	HMC	HEK	N/A	N/A		
			DPDT	HMF				
Series HS Herm. Sealed 5 Amp Snap Switch with Terminal Block	-50 to +500 (-46 to +260)	SPDT	HM3	HM4	HA9			
			DPDT	HM7	HM8			
Series 8 Herm. Sealed Snap Switch	-50 to +500 (-46 to +260)	SPDT	8KQ	8KS	8A9	8LB	8LK	8D9
			DPDT	8NQ	8NS	8B9	8OB	N/A



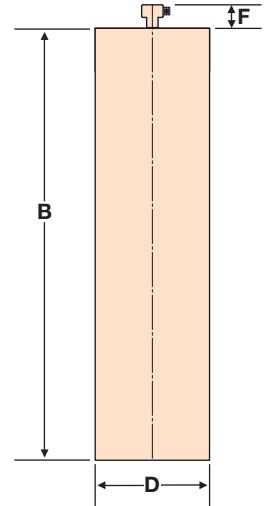
SPECIFICATIONS

PROOF-ER AND FLOATING ROOFTOP DIMENSIONAL DATA

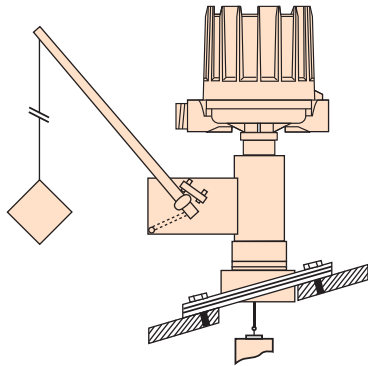
INCHES (MM)



HOLLOW BRASS DISPLACER

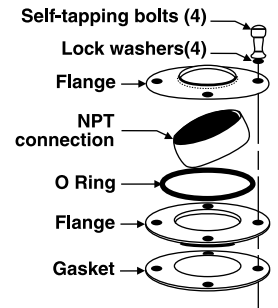
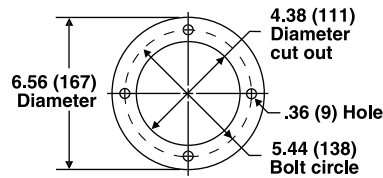


TYPICAL PROOF-ER INSTALLATION WITH VERSA FLANGE



VERSA FLANGE ASSEMBLY
PART NUMBER
089-5207-001

VERSA FLANGE BOLT CIRCLE




DIMENSIONAL CHART

		A	B	C	D	E min	F	G
A15	Threaded	5.62 (143)	n/a					15.93 (405)
	Flanged	7.62 (194)	n/a					17.62 (448)
	SS Chunk	n/a	2.16 (55)	n/a	2.50 (64)	n/a	0.82 (21)	n/a
	Brass Chunk		2.00 (51)		2.50 (64)		0.82 (21)	
	Hollow Brass		9.00 (229)		2.50 (64)		0.92 (23)	
B15	Threaded	5.88 (149)	n/a					18.12 (460)
	Flanged	7.88 (200)	n/a					19.81 (503)
	SS Chunk	n/a	2.16 (55)	1.08 (27)	2.50 (64)	4.00 (102)	0.82 (21)	n/a
	Brass Chunk		1.50 (38)	1.00 (25)	2.50 (64)		0.82 (21)	
	Hollow Brass		n/a					

MODEL NUMBER

SERIES A10 AND A15 SINGLE SWITCH MODELS

 Models available for quick shipment, usually within one week after factory receipt of a complete purchase order, through the Expedite Ship Plan (ESP)

PART NUMBER CODE AND SPECIFIC GRAVITY LIMITS

Part Number Code	Function	Liquid Temp.		Displacer Type		
		° F	° C	Porcelain	Stainless Steel	Karbate
A10	Wide Differential, Single Stage	100	38	0.60 to 1.20	0.60 to 1.20	0.60 to 1.20
		200	93	0.70 to 1.20	0.70 to 1.20	0.70 to 1.20
		300	149	0.80 to 1.20	0.80 to 1.20	0.80 to 1.20
		400	204	1.00 to 1.20	0.90 to 1.20	—
		500	260	1.10 to 1.20	1.00 to 1.20	—
A15	Narrow Differential, Single Stage	100	38	0.60 to 2.40	0.40 to 1.65	0.40 to 1.65
		200	93	0.62 to 2.40	0.40 to 1.65	0.45 to 1.65
		300	149	0.65 to 2.40	0.50 to 1.65	0.50 to 1.65
		400	204	0.70 to 2.40	0.55 to 1.65	—
		500	260	0.75 to 2.40	0.60 to 1.65	—

MATERIALS OF CONSTRUCTION

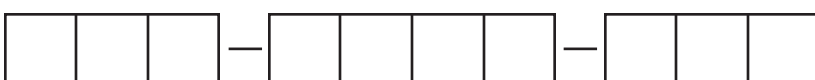
Code	Support Spring	Trim	E-Tube Mtg. Nut	Displacer Clamps/ Susp. Cable	Magnetic Sleeve	Process Connection
1	Inconel 600	300 Series SS	Carbon Steel	316 SS	400 Series SS	Carbon Steel ^④
2	Inconel 600	316 SS	316 SS	316 SS	316 SS	Carbon Steel ^④
4						316 SS
5	Inconel 600	300 Series SS	Carbon Steel	Monel	400 Series SS	Carbon Steel ^④
6				Hastelloy		
M ^① NACE Const.	Inconel X750	316 SS	316 SS	316 SS	316 SS	316 SS
N ^① NACE Const.	Inconel X750	300 Series SS	316 SS	316 SS	316 SS	Carbon Steel

TANK CONNECTION

Tank Connection ^②	Code
2½" NPT Threaded	E2
3" 125 lb. Cast Iron FF Flange ^{③⑤}	G2
3" 150 lb. ANSI RF Flange	G3
4" 125 lb. Cast Iron FF Flange ^{③⑤}	H2
4" 150 lb. ANSI RF Flange	H3
4" 300 lb. ANSI RF Flange ^⑬	H4
6" 125 lb. Cast Iron FF Flange ^{③⑤}	K2
6" 150 lb. ANSI RF Flange	K3
6" 300 lb. ANSI RF Flange	K4

DISPLACER MATERIAL AND PROOF-ER OPTION

Proof-er Type ^⑫	Displacer Material		
	Porcelain	316 SS	Karbate
Without Proof-er	A	B	C
Low Pressure	D ^③	E ^③	F ^③
Medium Pressure	G ^③	H ^③	J ^③



MODEL NUMBER

SERIES A10 AND A15 SINGLE SWITCH MODELS (cont.)

ELECTRIC SWITCH MECHANISM AND ENCLOSURE ¹⁰

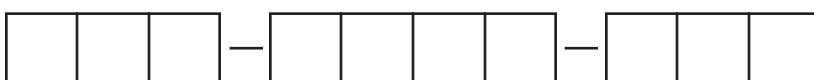
Switch Description	Max. ⁹ Process Temp. ° F (°C)	One Set Point	A10 Codes			A15 Codes		
			TYPE 4X/7/9 Aluminum Polymer Coated ⁶					
			Class I, Div. 1, Groups C & D	Class I, Div. 1, Group B	ATEX Ex II 2G EEx d IIC	Class I, Div. 1, Groups C & D	Class I, Div. 1, Group B	ATEX Ex II 2G EEx d IIC
Series B Snap Switch	-40 to +250 (-40 to +121)	SPDT	BKB	BKK	BC9	BKQ	BKS	BA9
		DPDT	BNB	BNK	BF9	BNQ	BNS	BB9
Series C Snap Switch	-40 to +450 (-40 to +232)	SPDT	CKB	CKK	CC9	CKQ	CKS	CA9
		DPDT	CNB	CNK	CF9	CNQ	CNS	CB9
Series D Snap Switch For DC Current Applications	-40 to +250 (-40 to +121)	SPDT	DKB	DKK	DC9	DKQ	DKS	DA9
		DPDT	DNB	DNK	DF9	DNQ	DNS	DB9
Series HS Herm. Sealed Snap Switch w/Wiring Leads	-50 to +500 ¹¹ (-46 to +260)	SPDT	HMJ	HMK	n/a	HMC	HEK	n/a
		DPDT	HMS	HMT		HMF	HET ⁸	
Series HS Herm. Sealed Snap Switch w/Terminal Block	-50 to +500 ¹¹ (-46 to +260)	SPDT	HM3	HM4	HA9	HM3	HM4 ⁸	HA9
		DPDT	HM7	HM8	HB9	HM7 ⁷	HM8 ⁷	HB9 ⁷
Series F Herm. Sealed Snap Switch	-50 to +500 (-46 to +260)	SPDT	FKB	FKK	FC9	FKQ ⁷	FKS ⁷	FA9 ⁷
		DPDT	FNB	FNK	FF9	FNQ	FNS	FB9
Series 8 Herm. Sealed Snap Switch	-50 to +500 (-46 to +260)	SPDT	8KB	8KK	8C9	8KQ	8KS	8A9
		DPDT	8NB	8NK	8F9	8NQ	8NS	8B9

PNEUMATIC SWITCH MECHANISM AND ENCLOSURE

Switch Description	Maximum Supply Pressure		Maximum Process Temperature		Bleed Orifice Diameter		A10 Codes	A15 Codes
	PSIG	Bar	° F	° C	Inches	mm	NEMA 1	NEMA 1
Series J Bleed Type Pneumatic Switch	100	7	400	204	.063	1	JGF	JDE
	60	4	400	204	.094	2	JHF	JEE
Series K Non-Bleed Pneumatic Switch	100	7	400	204	—	—	KOF	KOE

- ① Not available with displacer material and Proof-er option codes D, E, F, G, H, and J.
- ② Pressure/temperature ratings on page 4. Flanges are ANSI type.
- ③ Not available with material of construction codes M and N.
- ④ #125 flanges will be cast iron.
- ⑤ Not available with material of construction code -4.
- ⑥ Uncontrolled housing heater or drain available in TYPE 4X/7/9 enclosures. Consult factory for standard part numbers.
- ⑦ Available with a 6" tall cover only.

- ⑧ CSA approval does not apply to Series HE switches.
- ⑨ Process temperature based on +100° F (+38° C) ambient.
- ⑩ Consult factory for TYPE 4X/7/9 cast iron housings.
- ⑪ On steam applications, temperature down rated to +400° F (+204° C) process at +100° F (+38° C) ambient.
- Proof-er in carbon steel only with all materials of construction.
- ⑬ Available only in carbon steel. Consult factory for 4" 300 lb. 316 SS flanged connection.



MODEL NUMBER

SERIES B10 AND B15 DUAL SWITCH MODELS

Models available for quick shipment, usually within one week after factory receipt of a complete purchase order, through the Expedite Ship Plan (ESP)

Note: Each B10 instrument is factory calibrated to operate on a given specific gravity within the minimum and maximum values listed.

PART NUMBER CODE AND SPECIFIC GRAVITY LIMITS

Part Number Code	Function	Liquid Temp.		Displacer Type		
		° F	° C	Porcelain	Stainless Steel	Karbate
B10†	Wide Differential, Dual Stage	100	38	0.60 to 1.20	0.50 to 1.00	0.50 to 1.00
		200	93	0.64 to 1.50	0.50 to 1.00	0.50 to 1.00
		300	149	0.80 to 1.50	0.60 to 1.00	0.60 to 1.00
		400	204	1.00 to 1.50	0.72 to 1.00	—
		500	260	1.10 to 1.50	0.84 to 1.00	—
B15	Narrow Differential, Dual Stage	100	38	0.95 to 1.20	0.70 to 1.20	0.70 to 1.20
		200	93	1.10 to 1.20	0.80 to 1.20	0.80 to 1.20
		300	149	—	0.90 to 1.20	0.90 to 1.20
		400	204	—	1.00 to 1.20	—
		500	260	—	1.04 to 1.20	—

† When ordering B10 units, an operating sequence and operating specific gravity must be provided.

MATERIALS OF CONSTRUCTION

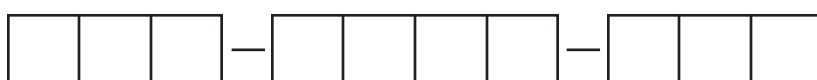
Code	Support Spring	Trim	E-Tube Mtg. Nut	Displacer Clamps/ Susp. Cable	Magnetic Sleeve	Process Connection
1	Inconel 600	300 Series SS	Carbon Steel	316 SS	400 Series SS	Carbon Steel ^④
2	Inconel 600	316 SS	316 SS	316 SS	316 SS	Carbon Steel ^④
4						316 SS
5	Inconel 600	300 Series SS	Carbon Steel	Monel	400 Series SS	Carbon Steel ^④
6				Hastelloy		
M ^① NACE Const.	Inconel X750	316 SS	316 SS	316 SS	316 SS	316 SS
N ^① NACE Const.	Inconel X750	300 Series SS	316 SS	316 SS	316 SS	Carbon Steel

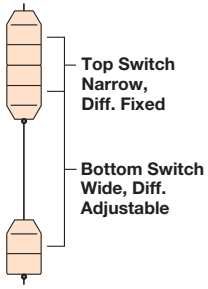
TANK CONSTRUCTION

Tank Connection ^②	Code
2½" NPT Threaded	E2
3" 125 lb. Cast Iron FF Flange ^{③⑤}	G2
3" 150 lb. ANSI RF Flange	G3
4" 125 lb. Cast Iron FF Flange ^{③⑤}	H2
4" 150 lb. ANSI RF Flange	H3
4" 300 lb. ANSI RF Flange ^⑪	H4
6" 125 lb. Cast Iron FF Flange ^{③⑤}	K2
6" 150 lb. ANSI RF Flange	K3
6" 300 lb. ANSI RF Flange	K4

DISPLACER MATERIAL AND PROOF-ER OPTION

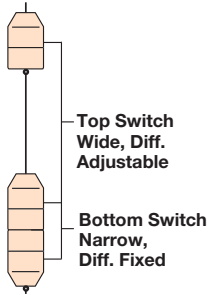
Proof-er Type ^⑥	Displacer Material		
	Porcelain	316 SS	Karbate
Without Proof-er	A	B	C
Low Pressure	D ^③	E ^③	F ^③





**PLUS ALARM
ARRANGEMENT NO. 1 - FILL WITH
HIGH LEVEL ALARM**

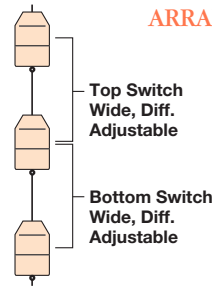
The bottom switch starts the drain cycle when the level reaches the upper displacer. The drain cycle stops when the level falls to the bottom displacer. If level rises above the "drain start" level, the top switch will activate an alarm.



**PLUS ALARM
ARRANGEMENT NO. 2 - DRAIN
WITH LOW LEVEL ALARM**

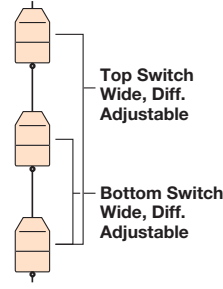
The top switch starts the fill cycle when level drops to the lower displacer. The fill cycle stops when level rises to the top displacer. If level falls below the "fill start", the bottom switch will activate an alarm.

**CONTROL OF TWO PUMPS OF DIFFERENT CAPACITY
ARRANGEMENT NO. 3 - TWO SWITCH, WIDE
DIFFERENTIAL OR DRAIN**



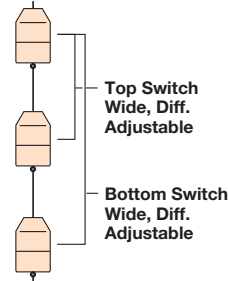
The top switch cycles with level between the top and middle displacer. The bottom switch cycles with level between the middle and bottom displacer.

**CONTROL OF TWO PUMPS - DRAIN
ARRANGEMENT NO. 4**



In this sequence No. 1 pump starts as the level rises to the middle displacer. Should the level continue to rise to the upper displacer, No. 2 pump is actuated. Both pumps operate until the level is dropped to the lower displacer.

**CONTROL OF TWO PUMPS - FILL
ARRANGEMENT NO. 5**



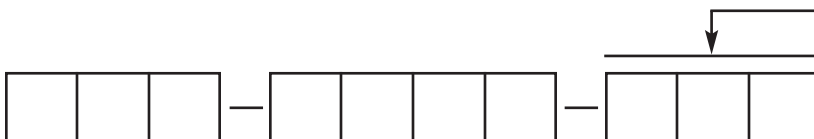
The pumping sequence of Arrangement No. 4 can be reversed for a pump "fill" application.

ELECTRIC SWITCH MECHANISM AND ENCLOSURE ⑩ ⑧

Switch Description	Process ^⑨ Temp. Range ° F (° C)	Two Set Points	Switch Enclosure		
			TYPE 4X/7/9 Alum Polymer Coated ^⑦		
			Class I, Div. 1, Groups C & D	Class I, Div. 1, Group B	ATEX Ex II 2G EEx d IIC T6
Series B Snap Switch	-40 to +250 (-40 to +121)	SPDT	BLB	BLK	BD9
		DPDT	BOB	BOK	BG9
Series C Snap Switch	-40 to +450 (-40 to +232)	SPDT	CLB	CLK	CD9
		DPDT	COB	COK	CG9
Series D Snap Switch For DC Current Applications	-40 to +250 (-40 to +121)	SPDT	DLB	DLK	DD9
		DPDT	DOB	DOK	DG9
Series F Hermetically Sealed Snap Switch	-50 to +500 (-46 to +260)	SPDT	FLB	FLK	FD9
		DPDT	FOB	FOK	FG9
Series 8 Hermetically Sealed Snap Switch	-50 to +500 (-46 to +260)	SPDT	8LB	8LK	8D9
		DPDT	8OB	N/A	8G9

- ① Not available with displacer material and Proof-er option codes D, E, and F.
- ② Pressure/temperature ratings on page 3. Flanges are ANSI type.
- ③ Not available with material of construction codes M and N.
- ④ #125 flanges will be cast iron.
- ⑤ Not available with material of construction code -4.
- ⑥ Proof-er in carbon steel only with all materials of construction codes.
- ⑦ Uncontrolled housing heater or drain available in NEMA 4X/7/9 enclosures. Consult factory for standard part numbers.

- ⑧ Pneumatic switch mechanisms and enclosures are unavailable for Series B10 and B15 switches.
- ⑨ Process temperature based on +100° F (+38° C) ambient.
- ⑩ Consult factory for NEMA 4X/7/9 cast iron housings.
- ⑪ Available only in carbon steel. Consult factory for 4" 300 lb. 316 SS flanged connection.



MODEL NUMBER

SERIES C10 AND C15 TRI-SWITCH MODELS

Note: Each C10 and C15 instrument is factory calibrated to operate for a given specific gravity within the minimum and maximum values listed.

PART NUMBER CODE AND SPECIFIC GRAVITY LIMITS

Part Number Code	Function	Liquid Temp.		Displacer Type		
		° F	° C	Porcelain	Stainless Steel	Karbate
C10†	Wide Differential, 3 switches	100	38	0.65 to 1.20	0.58 to 1.20	0.58 to 1.20
		200	93	0.95 to 1.10	0.76 to 1.00	0.76 to 1.00
		300	149	—	0.820 to 1.00	0.82 to 1.00
C15††	Narrow Differential, 3 switches	130	54	0.80 to 1.25	0.65 to 1.00	0.65 to 1.00

† When ordering C10 units, an operating sequence and operating specific gravity must be provided.

†† When ordering C15 units, an operating specific gravity must be provided.

MATERIALS OF CONSTRUCTION

Code	Support Spring	Trim	E-Tube Mtg. Nut	Displacer Clamps/ Susp. Cable	Magnetic Sleeve	Process Connection
1	Inconel 600	300 Series SS	Carbon Steel	316 SS	400 Series SS	Carbon Steel [®]
2	Inconel 600	316 SS	316 SS	316 SS	316 SS	Carbon Steel [®]
4						316 SS
5	Inconel 600	300 Series SS	Carbon Steel	Monel	400 Series SS	Carbon Steel [®]
6				Hastelloy		
M NACE Const.	Inconel X750	316 SS	316 SS	316 SS	316 SS	316 SS
N NACE Const.	Inconel X750	300 Series SS	316 SS	316 SS	316 SS	Carbon Steel

TANK CONNECTION AND DISPLACERS

Tank Connection ^①	Displacer Material		
	Porcelain	316 SS	Karbate
2½" NPT Threaded	E2A	E2B	E2C
3" 125 lb. Cast Iron FF Flange ^②	G2A	G2B	G2C
3" 150 lb. ANSI RF Flange ^③	G3A	G3B	G3C
4" 125 lb. Cast Iron FF Flange ^②	H2A	H2B	H2C
4" 150 lb. ANSI RF Flange ^③	H3A	H3B	H3C
4" 300 lb. ANSI RF Flange ^⑧	H4A	H4B	H4C
6" 125 lb. Cast Iron FF Flange ^②	K2A	K2B	K2C
6" 150 lb. ANSI RF Flange ^③	K3A	K3B	K3C
6" 300 lb. ANSI RF Flange ^③	K4A	K4B	K4C

ELECTRIC SWITCH MECHANISM AND ENCLOSURE ^④

Switch Description	Process ^⑤ Temp. Range ° F (° C)	Three Set Points	Switch Enclosure	
			TYPE 4X/7/9 Aluminum Enclosure ^⑦	
			Class I, Div. 1, Groups C & D	Class I, Div. 1, Group B
Series O Snap Switch	-40 to +300 (-40 to +149)	SPDT DPDT	OMB	OMN
			OKB	OKN
Series Q Snap Switch	-40 to +250 (-40 to +121)	SPDT DPDT	QMB	QMN
			QKB	QKN

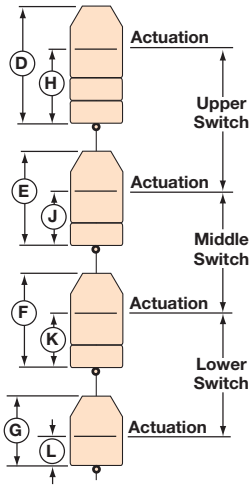
- ① Pressure/temperature ratings on page 4. Flanges are ANSI type.
- ② Not available with material of construction codes M, N and 4.
- ③ 316 SS flange is provided with material of construction code 4 and M.
- ④ Pneumatic switch mechanisms and enclosures are unavailable for Series C10 and C15 switches.
- ⑤ Process temperature based on +100° F (+38° C) ambient.
- ⑥ #125 flanges will be cast iron.
- ⑦ Consult factory for TYPE 4X/7/9 cast iron housings.
- ⑧ Available only in carbon steel. Consult factory for 4" 300 lb. 316 SS flanged connection.



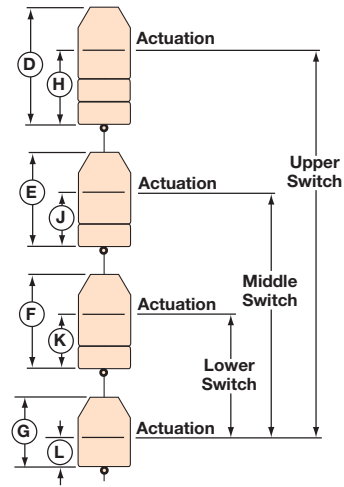
SPECIFICATIONS

MODEL C10 DISPLACER ARRANGEMENTS

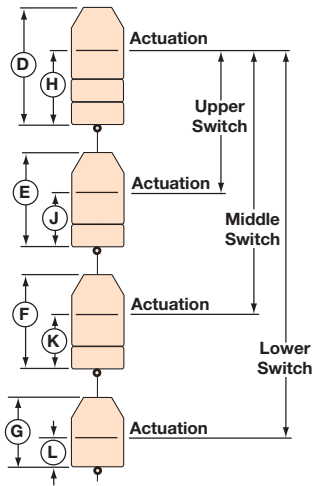
INCHES (MM)



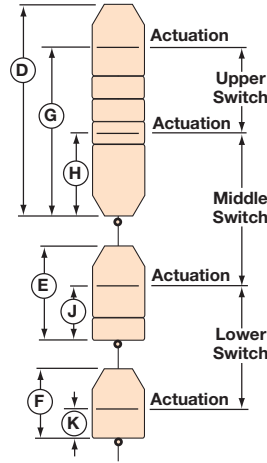
**Model C10
Displacer Arrangement A**



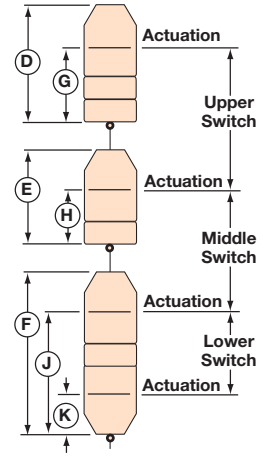
**Model C10
Displacer Arrangement B**



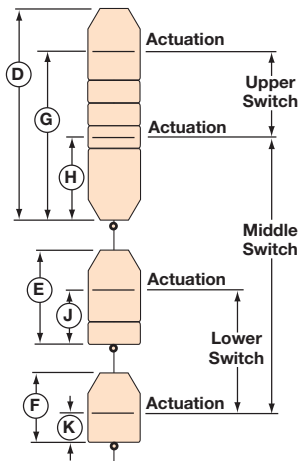
**Model C10
Displacer Arrangement C**



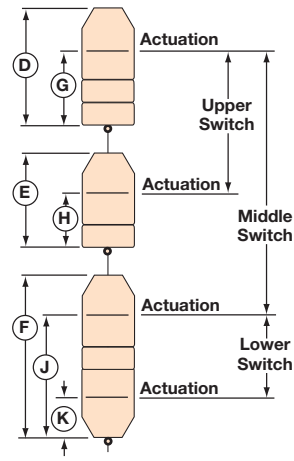
**Model C10
Displacer Arrangement D**



**Model C10
Displacer Arrangement E**



**Model C10
Displacer Arrangement F**



**Model C10
Displacer Arrangement G**

QUALITY



The quality assurance system in place at MAGNETROL guarantees the highest level of quality throughout the company. MAGNETROL is committed to providing full customer satisfaction both in quality products and quality service.

The MAGNETROL quality assurance system is registered to ISO 9001 affirming its commitment to known international quality standards providing the strongest assurance of product/service quality available.

ESP

Expedite **S**hip **P**lan

Several Displacer Type Liquid Level Switches are available for quick shipment, usually within one week after factory receipt of a purchase order, through the Expedite Ship Plan (ESP).

Models covered by ESP service are conveniently color coded in the selection data charts.

To take advantage of ESP, simply match the color coded model number codes (standard dimensions apply).

ESP service may not apply to orders of ten units or more. Contact your local representative for lead times on larger volume orders, as well as other products and options.

WARRANTY



All MAGNETROL mechanical level and flow controls are warranted free of defects in materials or workmanship for five full years from the date of original factory shipment.

If returned within the warranty period; and, upon factory inspection of the control, the cause of the claim is determined to be covered under the warranty; then, MAGNETROL will

repair or replace the control at no cost to the purchaser (or owner) other than transportation.

MAGNETROL shall not be liable for misapplication, labor claims, direct or consequential damage or expense arising from the installation or use of equipment. There are no other warranties expressed or implied, except special written warranties covering some MAGNETROL products.

For additional information, see Instruction Manual, 45-610.



705 Enterprise Street • Aurora, Illinois 60504-8149 • 630-969-4000 • Fax 630-969-9489
info@magnetrol.com • www.magnetrol.com

Copyright © 2015 Magnetrol International, Incorporated. All rights reserved. Printed in the USA.
Performance specifications are effective with date of issue and are subject to change without notice.

MAGNETROL, MAGNETROL logotype & PROOF-ER are registered trademarks of MAGNETROL INTERNATIONAL, INCORPORATED.
Monel® and Inconel® are registered trademarks of Special Metals Corporation (Formerly Inco Alloys International)
Hastelloy® is a registered trademark of Haynes International, Inc.

BULLETIN: 45-115.24
EFFECTIVE: January 2015
SUPERSEDES: September 2014